

PARTS LIST

[UX-S77]

* All printed circuit boards and its assemblies are not available as service parts.

Area suffix

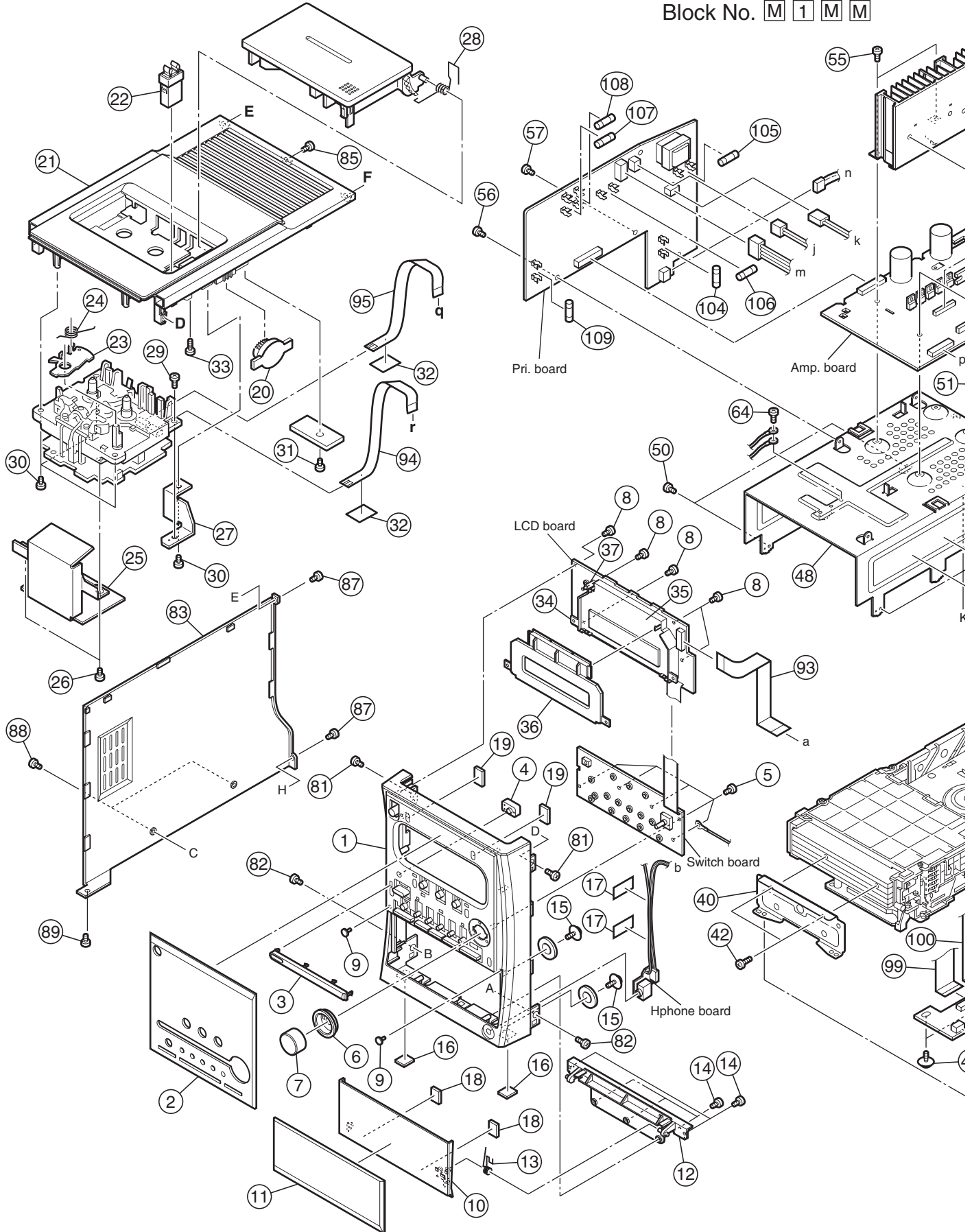
A	-----	Australia
US	-----	Singapore
UW	-----	Brazil, Mexico, Peru
UX	-----	Saudi Arabia
UJ	-----	U.S. Military
UN	-----	Asean

- Contents -

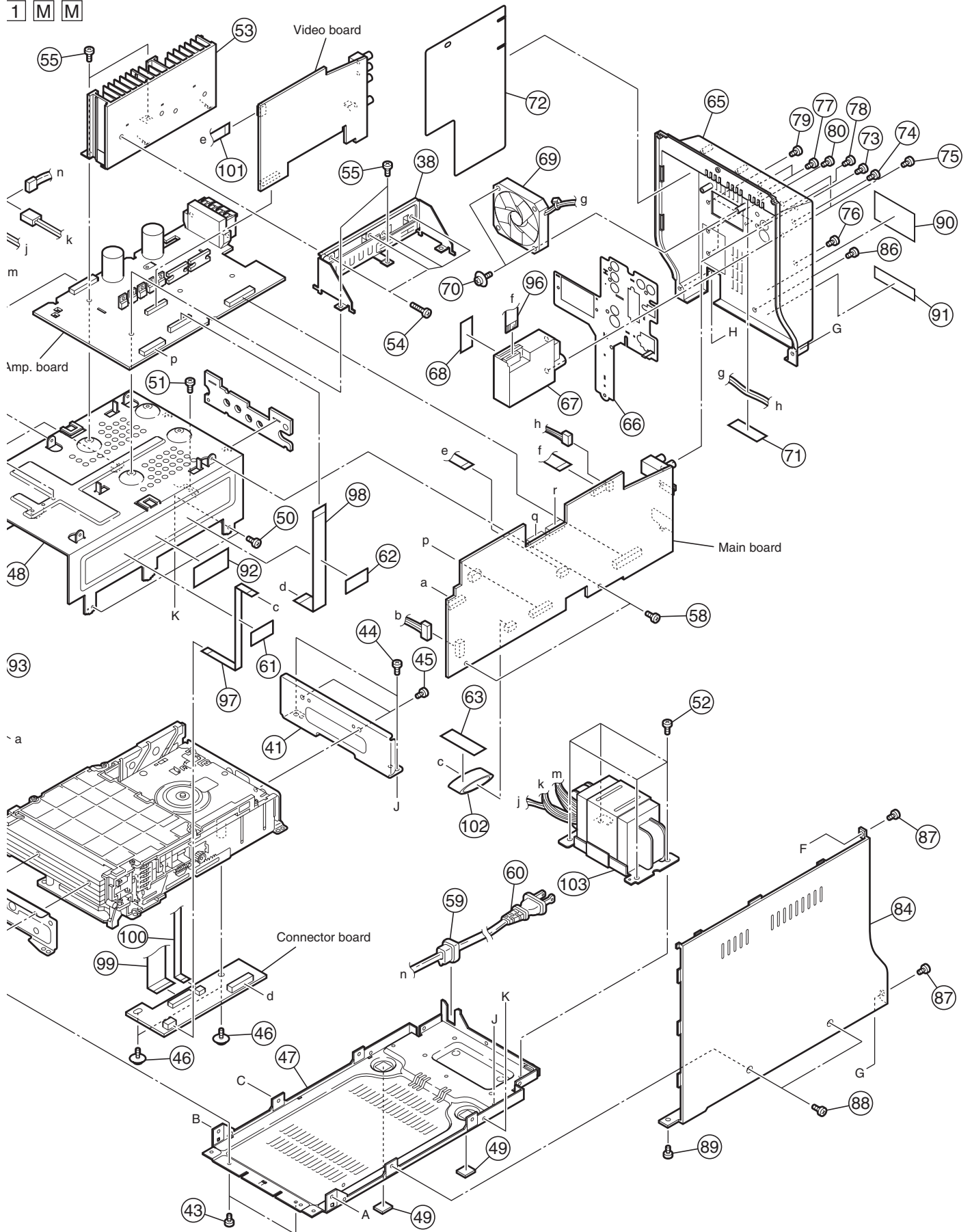
Exploded view of general assembly and parts list (Block No.M1)	-----	3- 2
DVD mechanism assembly and parts list (Block No.MJ)	-----	3- 6
DVD changer mechanism assembly and parts list (Block No.MK)	-----	3- 8
Cassette mechanism assembly and parts list (Block No.MP)	-----	3-10
Electrical parts list (Block No.01~07)	-----	3-12
Packing materials and accessories parts list (Block No.M3)	-----	3-22

Exploded view of general assembly and parts list

Block No. M 1 M M



1 M M



General Assembly

Block No. [M][1][M][M]

△	Symbol No.	Part No.	Part Name	Description	Local
	1	GV10171-009A	FRONT PANEL		
	2	GV20258-010A	FRONT LENS		
	3	GV30595-001A	ORNAMENT		
	4	GV40467-001A	REMOTE LENS		
	5	QYSBSF2608Z	TAPPING SCREW	2.6mm x 8mm(x5)	
	6	GV30527-001A	VOLUME ORNAMENT		
	7	GV30443-002A	VOLUME KNOB		
	8	QYSBSF2608Z	TAPPING SCREW	2.6mm x 8mm(x5)	
	9	E69897-002	CUSHION	(x2)	
	10	GV30525-003A	CD DOOR		
	11	GV30526-005A	CD DOOR LENS		
	12	GV30551-001A	CD DOOR HOLDER		
	13	GV40466-001A	DOOR SPRING		
	14	QYSBSF2608Z	TAPPING SCREW	2.6mm x 8mm(x5)	
	15	GV40035-001A	SPECIAL SCREW	(x2)	
	16	GV40313-002A	FELT SPACER	(x2)	
	17	GV30349-001A	SPACER	(x2)	
	18	GV30349-031A	SPACER	(x2)	
	19	GV30349-031A	SPACER	(x2)	
	20	GV40034-001A	DAMPER ASSY.		
	21	GV20287-002A	TOP COVER ASSY		
	22	GV40220-001A	LACH		
	23	VKL7850-002	EJECT SAFTY(R)		
	24	VKW5258-003	TORSION SPRING		
	25	GV30071-001A	HEAD SHIELD		
	26	QYSBSF2608Z	TAPPING SCREW	2.6mm x 8mm(x2)	
	27	GV40229-001A	SUPPORT BRACKET		
	28	GV40506-001A	DOOR SPRING		
	29	QYSBST3008Z	TH TAP SCREW	3mm x 8mm	
	30	QYSBSF3010Z	TAP SCREW	3mm x 10mm(x4)	
	31	QYSBSF3010Z	TAP SCREW	3mm x 10mm	
	32	GV30349-004A	SPACER	(x2)	
	33	E65923-003	TAPPING SCREW		
	34	GV20273-001A	LCD HOLDER		
	35	GV30574-001A	LCD LENS		
	36	GV30575-001A	COVER LENS		
	37	GV40429-001A	LED HOLDER		
	38	GV30553-002A	IC HOLDER		
	40	GV30552-001A	CD BRACKET(F)		
	41	GV30447-001A	CD BRACKET(R)		
	42	QYSDST3006Z	TAP SCREW	3mm x 6mm(x2)	
	43	QYSDST3006Z	TAP SCREW	3mm x 6mm(x2)	
	44	QYSBST4006Z	SCREW	4mm x 6mm(x2)	
	45	QYSBST3004Z	SCREW	3mm x 4mm(x2)	
	46	GV40035-001A	SPECIAL SCREW	(x2)	
	47	GV10173-001A	BOTTOM CHASSIS		
	48	GV10172-001A	MAIN CHASSIS		
	49	GV40313-002A	FELT SPACER	(x2)	
	50	QYSSST3006Z	SCREW	3mm x 6mm(x4)	
	51	QYSBST3006Z	TAPPING SCREW	3mm x 6mm	
	52	QYSBST4006Z	SCREW	4mm x 6mm(x4)	
	53	GV30554-001A	HEAT SINK		
	54	QYSBSG3012Z	TAP SCREW	M3 x 12mm(x4)	
	55	QYSBST3006Z	TAPPING SCREW	3mm x 6mm(x4)	
	56	QYSBST3006Z	TAPPING SCREW	3mm x 6mm	
	57	QYSBSGG3008E	TAPPING SCREW	3mm x 8mm	
	58	QYSBST3006Z	TAPPING SCREW	3mm x 6mm(x2)	
△	59	QZV0033-001	STRAIN RELIEF		
△	60	QMPG150-244-JC	POWER CORD(AST)	2.44m BLACK	S77A
△	60	QMPK200-200-JD	POWER CORD(EU)	2m BLACK	S77UJ,S77UN,S77US,S77UW
△	60	QMPR270-200-JD	POWER CORD(EU)	2m BLACK	S77UX
	61	GV40242-004A	COMMON SPACER		
	62	GV40242-004A	COMMON SPACER		
	63	GV40242-004A	COMMON SPACER		
	64	QYSBST3004Z	SCREW	3mm x 4mm	
	65	GV10186-007A	REAR COVER		S77A
	65	GV10186-011A	REAR COVER		S77UJ
	65	GV10186-008A	REAR COVER		S77UN,S77US
	65	GV10186-012A	REAR COVER		S77UW
	65	GV10186-010A	REAR COVER		S77UX
	66	GV30567-003A	EARTH PLATE		
	67	QAU0347-001	TUNER	TU 1	S77A
	67	QAU0346-001	TUNER	TU 1	S77UJ,S77UN,S77US,S77UW,S77UX
	68	GV40242-004A	COMMON SPACER		

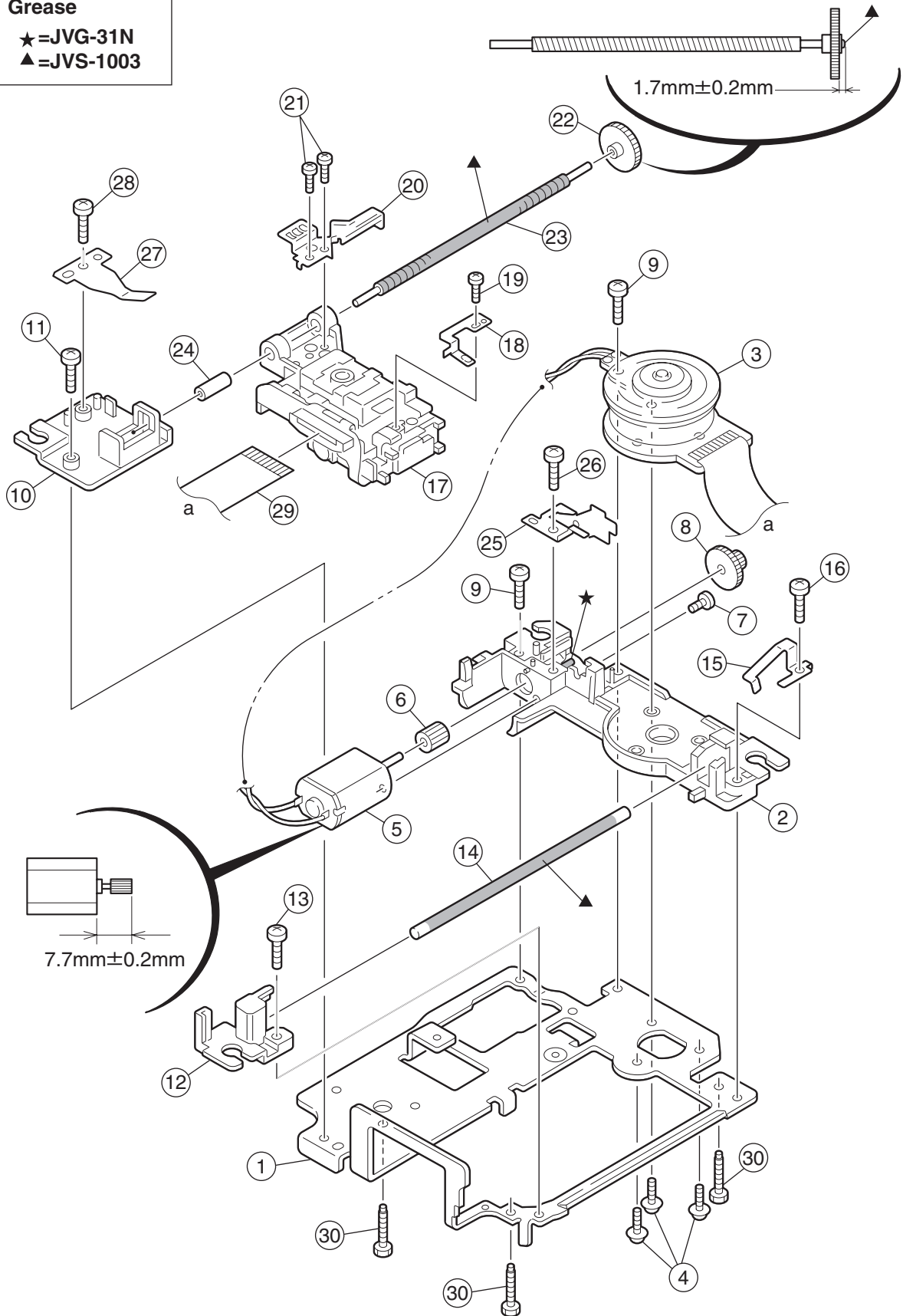
△	Symbol No.	Part No.	Part Name	Description	Local
	69	QAR0328-001	FAN MOTOR		
	70	GV40133-001A	SPECIAL SCREW	(x2)	
	71	GV30349-010A	SPACER		
	72	GV30596-001A	PROTECT SHEET		
	73	QYSBSG3008M	TAPPING SCREW	3mm x 8mm	
	74	QYSBSG3008M	TAPPING SCREW	3mm x 8mm	
	75	QYSBSG3008M	TAPPING SCREW	3mm x 8mm(x2)	
	76	QYSBSG3008M	TAPPING SCREW	3mm x 8mm	
	77	QYSBSG3008M	TAPPING SCREW	3mm x 8mm(x2)	
	78	QYSBSG3008M	TAPPING SCREW	3mm x 8mm	
	79	QYSBSG3008M	TAPPING SCREW	3mm x 8mm(x2)	
	80	QYSBSG3008M	TAPPING SCREW	3mm x 8mm(x2)	S77UJ,S77UN,S77US,S77UW,S77UX
	81	QYSSSF3008Z	SCREW	3mm x 8mm(x2)	
	82	QYSSST3006Z	SCREW	3mm x 6mm(x2)	
	83	GV10184-003A	SIDE COVER L		
	84	GV10185-003A	SIDE COVER R		
	85	QYSBSG3008M	TAPPING SCREW	3mm x 8mm	
	86	QYSBSG3008M	TAPPING SCREW	3mm x 8mm	
	87	QYSDSG3010M	TAP SCREW	M3 x 10mm(x4)	
	88	QYSDSG3006N	TAP SCREW	M3 x 6mm(x4)	
	89	QYSSST3010Z	TAP SCREW	M3 x 10mm(x2)	
	90	GV30598-013A	RATING LABEL		S77A
	90	GV30598-014A	RATING LABEL		S77UJ,S77UN,S77US,S77UW,S77UX
	91	GV40526-001A	CAUTION LABEL		
	92	LV42035-002A	LASER CAUTION		
	93	QUQH10-1910AJ	FFC CABLE		
	94	QUQH12-1022BJ	FFC WIRE		
	95	QUQH12-0919AJ	FFC CABLE		
	96	QUQH12-1113AJ	CARD WIRE	FC 1	
	97	QUQH12-0616AJ	FFC CABLE		
	98	QUQH10-2615BJ	FFC CABLE		
	99	QUQH10-2607BJ	FFC CABLE		
	100	QUQH10-0607BJ	FFC CABLE		
	101	QUQH12-0612AJ	FFC CABLE		
	102	QQR1259-002	FERRITE CORE	FB 651	
△	103	QQT0440-004	POWER TRANSF	T 9001	S77A
△	103	QQT0440-003	POWER TRANSF	T 9001	S77UJ,S77UN,S77US,S77UW,S77UX
△	104	QMF51W2-1R0-J8	FUSE	F 9001 1A AC250V	S77A
△	104	QMF51W2-2R0-J8	FUSE	F 9001 2A AC250V	S77UJ,S77UN,S77US,S77UW,S77UX
△	105	QMF51W2-1R0-J8	FUSE	F 9006 1A AC250V	S77UJ,S77UN,S77US,S77UW,S77UX
△	106	QMF51W2-6R3-J8	FUSE	F 9002 6.3A AC250V	
△	107	QMF51W2-6R3-J8	FUSE	F 9003 6.3A AC250V	
△	108	QMF51W2-2R0-J8	FUSE	F 9004 2A AC250V	
△	109	QMF51W2-1R6-J8	FUSE	F 9005 1.6A AC250V	S77A
△	109	QMF51W2-2R0-J8	FUSE	F 9005 2A AC250V	S77UJ,S77UN,S77US,S77UW,S77UX

DVD mechanism assembly and parts list

Block No. M J M M

FXL-D52-1M

Grease
 ★=JVG-31N
 ▲=JVS-1003



DVD mechanism

Block No. [M][J][M][M]

△	Symbol No.	Part No.	Part Name	Description	Local
	1	LV10751-001A	TM CHASSIS		
	2	LV10752-003A	SF MOTOR BASE		
	3	QAR0308-001	SPINDLE MOTOR		
	4	LV43461-001A	SPECIAL SCREW	(x3)	
	5	QAR0144-003	MOTOR		
	6	VKS5557-001	F.M. GEAR		
	7	QYSPSPT2030M	SCREW	M2 x 3mm	
	8	LV33985-001A	MIDDLE GEAR		
	9	QYSDST2008Z	TAP SCREW	M2 x 8mm(x2)	
	10	LV33989-001A	S.SHAFT HOLDER		
	11	QYSDST2008Z	TAP SCREW	M2 x 8mm	
	12	LV33990-001A	G.SHAFT HOLDER		
	13	QYSDST2008Z	TAP SCREW	M2 x 8mm	
	14	LV43291-002A	GUIDE SHAFT		
	15	LV33991-001A	ADJUST SPRING		
	16	QYSPST2008Z	TAP SCREW	M2 x 8mm	
	17	QAL0507-001	PICK UP		
	18	LV33983-001A	PS SPRING		
	19	QYSPSFT1730Z	TAP SCREW	M1.7 x 3mm	
	20	LV33984-002A	RACK ARM		
	21	QYSPSFT1730Z	TAP SCREW	M1.7 x 3mm(x2)	
	22	LV33986-001A	S.SHAFT GEAR		
	23	LV43293-001A	SCREW SHAFT		
	24	LV43290-001A	S.SHAFT COLLOR		
	25	LV33987-001A	GEAR HOLDER		
	26	QYSPSFT2040Z	TAP SCREW	M2 x 4mm	
	27	LV33988-001A	SS ADJ SPRING		
	28	QYSDST2008Z	TAP SCREW	M2 x 8mm	
	29	LV43702-001A	PICK FFC		
	30	LV43292-002A	ADJUST SCREW	(x3)	

DVD changer mechanism assembly and parts list

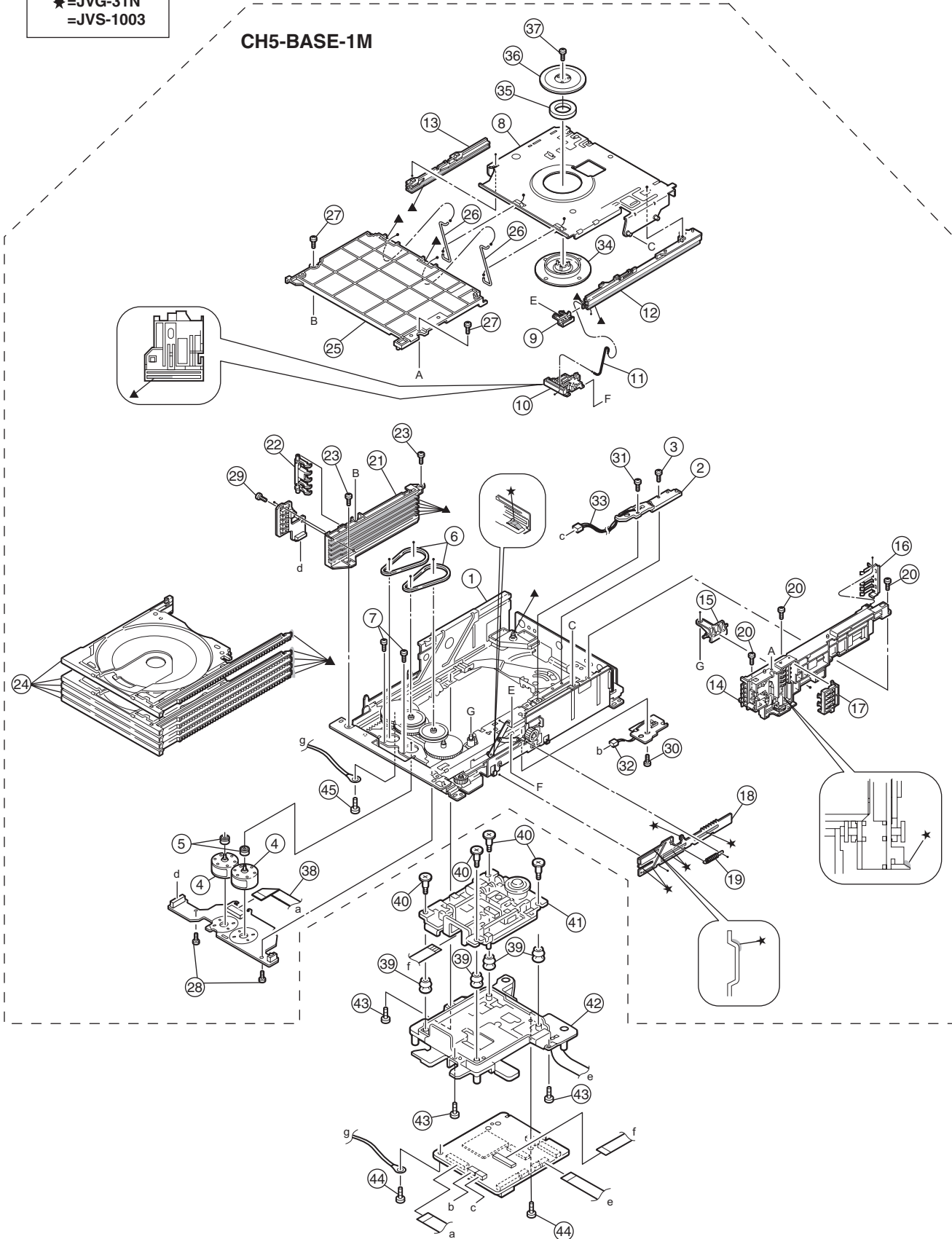
Block No. M K M M

Grease

▲=JVG-31N
=JVS-1003

FMU-SD7-15M

CH5-BASE-1M



DVD changer mechanism

Block No. [M][K][M][M]

△	Symbol No.	Part No.	Part Name	Description	Local
	1	LV10913-001A	LOADER ASSY		
	2	QVY0027-B14	S V RESISTOR		
	3	QYSDST2004Z	SCREW	2mm x 4mm	
	4	QAR0164-001	MOTOR	(x2)	
	5	LV42340-001A	MOTOR PULLEY	(x2)	
	6	LV41431-002A	BELT	(x2)	
	7	QYSPSPU1725N	SCREW	1.7mm x 2.5mm(x2)	
	8	LV33965-004A	LIFTER ASSY		
	9	LV33963-001A	HOOK		
	10	LV33964-002A	HOOK STOPPER		
	11	LV43285-001A	ROD (L)		
	12	LV21408-002A	RAIL(R)		
	13	LV21409-002A	RAIL(L)		
	14	LV21520-004A	SIDE(R) ASSY		
	15	LV33974-001A	SELECT LEVER		
	16	LV33977-002A	CLICK SPRING		
	17	LV33975-001A	GEAR COVER		
	18	LV33976-001A	ELEVATOR CAM		
	19	LV43287-001A	ELEVATOR SPRING		
	20	QYSDST2605Z	SCREW	2.6mm x 5mm(x3)	
	21	LV10749-002A	SIDE(L)		
	22	LV33980-001A	OPEN DET.LEVER		
	23	QYSDST2605Z	SCREW	2.6mm x 5mm(x2)	
	24	LV10746-003A	TRAY ASSY	(x5)	
	25	LV10750-003A	TOP COVER		
	26	LV43289-002A	ROD	(x2)	
	27	QYSDSF2608Z	SCREW	2.6mm x 8mm(x2)	
	28	QYSDST2605Z	SCREW	2.6mm x 5mm(x2)	
	29	QYSDSF2608Z	SCREW	2.6mm x 8mm	
	30	QYSDST2605Z	SCREW	2.6mm x 5mm	
	31	QYSDST2004Z	SCREW	2mm x 4mm	
	32	WJM0330-002A	E-SI C WIRE C-F		
	33	WJM0331-001A	E-SI C WIRE C-F		
	34	LV32417-001A	CLAMPER		
	35	LV42930-003A	P.C.MAGNET		
	36	LV33992-001A	DVD YOKE		
	37	LV41741-001A	SPECIAL SCREW		
	38	QUQ110-1508BJ	FFC WIRE		
	39	LV41659-002A	INSULATOR	(x4)	
	40	LV43245-001A	SPECIAL SCREW	(x4)	
	41	-----	TRAVERSE MECHANISM		
	42	LV10872-002A	DVD TM BASE 3		
	43	QYSDST2605Z	SCREW	2.6mm x 5mm(x3)	
	44	QYSDSF2606Z	SCREW	2.6mm x 6mm(x2)	
	45	QYSDST2605Z	SCREW	2.6mm x 5mm	

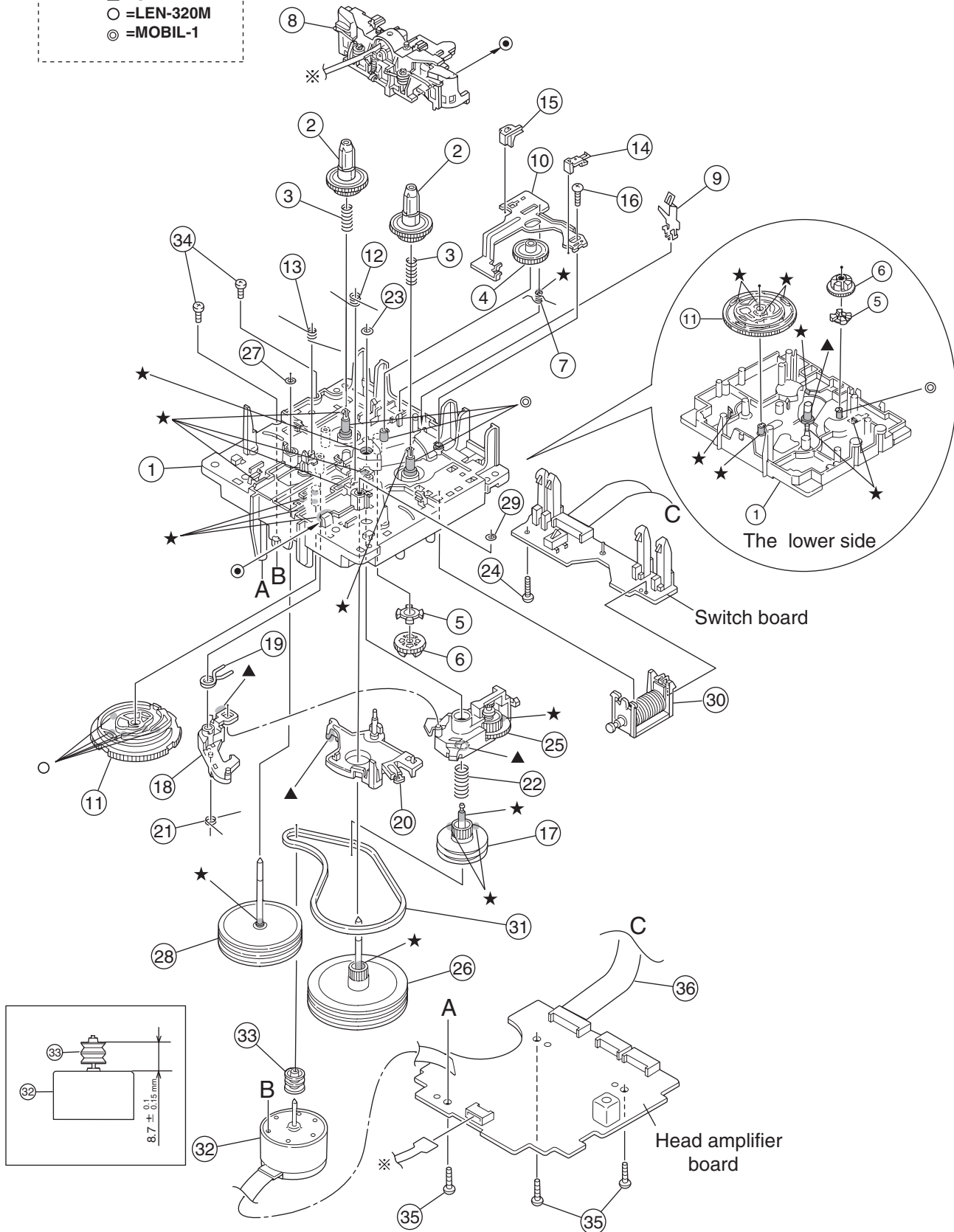
Cassette mechanism assembly and parts list

Block No. M P M M

SLC-S302M

Grease

- ★ =EM-30L
- ▲ =UD-24
- =LEN-320M
- ◎ =MOBIL-1



Cassette mechanism

Block No. [M][P][M][M]

△	Symbol No.	Part No.	Part Name	Description	Local
	1	VKS1165-00N	CHASSIS B. ASSY		
	2	VKS2274-002	REEL GEAR	(x2)	
	3	VKW5286-002	B.T. SPRING	(x2)	
	4	VKS5559-001	PLAY IDLE GEAR		
	5	VKS5595-002	BLIND		
	6	VKS5560-003	FR IDLE GEAR		
	7	LV42013-001A	EARTH SPRING		
	8	SLC-RP4SVM	HEAD MOUNT ASSY		
	9	VKY3149-002	CASSETTE SP.		
	10	LV31786-002A	PLAY LEVER		
	11	VKS1166-003	CONTROL CAM		
	12	VKW5279-002	HEAD BASE SP(R)		
	13	VKW5280-001	HEAD BASE SP(L)		
	14	LV41584-001A	BRAKE(R)		
	15	LV41585-003A	BRAKE(L)		
	16	QYSBSF2005Z	SCREW	2mm x 5mm	
	17	VKS5603-00G	MAIN PULLEY ASS		
	18	VKS3785-001MM	FR ARM		
	19	VKW5284-002	SWING SPRING		
	20	VKS2278-003	TRIGGER ARM		
	21	VKW5301-001	FR SPRING		
	22	VKW5266-001	ELEVATOR SPRING		
	23	WDL214025	WASHER		
	24	QYSBSF2005Z	SCREW	2mm x 5mm	
	25	VKS3786-00G	CLUTCH ASSY		
	26	VKF3205-00B	F.WHEEL ASSY(R)		
	27	WDL183425	SLIT WASHER		
	28	VKF3207-00C	F.WHEEL ASSY(L)		
	29	WDL173525-6	SLIT WASHER		
	30	VKZ3174-00B	DC SOLENOID		
	31	LV42836-001A	CAPSTAN BELT		
	32	MSI-5U2LWA	D.C.MOTOR		
	33	VKR4761-003	MOTOR PULLEY		
	34	QYSFSP2604Z	SCREW	2.6mm x 4mm(x2)	
	35	QYSBSF2608Z	TAPPING SCREW	2.6mm x 8mm(x3)	
	36	QUQH12-0906BF	WIRE		

Electrical parts list

Primary board

Block No. [0][1][0][0]

△ Symbol No.	Part No.	Part Name	Description	Local
IC301	LA4628	IC		
IC303	PQ05RD21	IC		
IC304	KIA7810API	IC		
IC305	KIA7810API	IC		
IC306	PQ033EF02SZ	REGULATOR IC		
IC308	LA4628	IC		
Q3000	2SC3576-JVC-T	TRANSISTOR		
Q3001	2SC3576-JVC-T	TRANSISTOR		
Q3002	KRA101M-T	TRANSISTOR		
Q3003	KRA109M-T	DIGI TRANSISTOR		
Q3004	KRA109M-T	DIGI TRANSISTOR		
Q3005	KRA109M-T	DIGI TRANSISTOR		
Q3006	KRA109M-T	DIGI TRANSISTOR		
Q3007	KRC109M-T	DIGI TRANSISTOR		
Q3008	KTA1046/Y/	TRANSISTOR		
Q3009	KTC3199/GLJ-T	TRANSISTOR		
Q3010	KTC3199/GLJ-T	TRANSISTOR		
Q3011	KTC3199/GLJ-T	TRANSISTOR		
Q3012	2SA1038S/SE/-T	TRANSISTOR		
Q3013	2SA1038S/SE/-T	TRANSISTOR		
Q3014	KRC104M-T	TRANSISTOR		
Q3015	2SC3576-JVC-T	TRANSISTOR		
Q3016	2SC3576-JVC-T	TRANSISTOR		
Q3017	KRA109M-T	DIGI TRANSISTOR		
Q3018	KRA109M-T	DIGI TRANSISTOR		
Q3019	KRA109M-T	DIGI TRANSISTOR		
Q3020	KRA109M-T	DIGI TRANSISTOR		
Q3021	KRC109M-T	DIGI TRANSISTOR		
Q3022	KRC104M-T	TRANSISTOR		
Q3023	KTA1023/OY/-T	TRANSISTOR		
Q9101	KTC3199/GLJ-T	TRANSISTOR		
Q9301	KTA1023/OY/-T	TRANSISTOR		
Q9302	KTC3199/GLJ-T	TRANSISTOR		
Q9303	KTC3199/GLJ-T	TRANSISTOR		
Q9304	KTC3199/GLJ-T	TRANSISTOR		
Q9401	2SD1266/P/	TRANSISTOR		S77UJ, S77UN, S77US, S77UW, S77UX
D3000	1SS119-041-T2	DIODE		
D3006	1SS119-041-T2	DIODE		
D3007	MTZJ5.6C-T2	Z DIODE		
D3008	MTZJ11C-T2	Z DIODE		
D3009	1SS119-041-T2	DIODE		
D3010	MTZJ11C-T2	Z DIODE		
D3011	1SS119-041-T2	DIODE		
D3012	1SS119-041-T2	DIODE		
D3015	1SS119-041-T2	DIODE		
D3016	MTZJ2.4B-T2	Z DIODE		
D3017	1SS119-041-T2	DIODE		
D3018	1SS119-041-T2	DIODE		
D3019	1SS119-041-T2	DIODE		
D3020	1N4003S-T5	SI DIODE		
D3021	2A02-M	DIODE		
D3030	1SS119-041-T2	DIODE		
D3035	1SS119-041-T2	DIODE		
D3038	MTZJ3.9B-T2	Z DIODE		
D3039	1SS119-041-T2	DIODE		
D3040	1SS119-041-T2	DIODE		
△ D9001	1N5401-TM	SI DIODE		
△ D9002	1N5401-TM	SI DIODE		
△ D9003	1N5401-TM	SI DIODE		
△ D9004	1N5401-TM	SI DIODE		
△ D9005	1N5401-TM	SI DIODE		
△ D9006	1N5401-TM	SI DIODE		
△ D9007	1N5401-TM	SI DIODE		
△ D9008	1N5401-TM	SI DIODE		
△ D9009	1N5401-TM	SI DIODE		
△ D9010	1N5401-TM	SI DIODE		

△ Symbol No.	Part No.	Part Name	Description	Local
△ D9011	1N5401-TM	SI DIODE		
△ D9012	1N5401-TM	SI DIODE		
△ D9101	1N4003S-T5	SI DIODE		
D9102	1SS119-041-T2	DIODE		
D9103	1N4003S-T5	SI DIODE		
D9104	1N4003S-T5	SI DIODE		
D9105	1N4003S-T5	SI DIODE		
D9301	MTZJ5.6B-T2	Z DIODE		
D9302	1N4003S-T5	SI DIODE		
D9303	MTZJ3.6B-T2	Z DIODE		
D9401	MTZJ10A-T2	Z DIODE		S77UJ, S77UN, S77US, S77UW, S77UX
C3000	QTE1V06-106Z	E CAPACITOR	10uF 35V	
C3001	QTE1V06-106Z	E CAPACITOR	10uF 35V	
C3002	QETN1HM-106Z	E CAPACITOR	10uF 50V M	
C3003	QETN1CM-107Z	E CAPACITOR	100uF 16V M	
C3004	QCB11HK-151Y	C CAPACITOR	150pF 50V K	
C3005	QCB11HK-151Y	C CAPACITOR	150pF 50V K	
C3007	QETN1HM-476Z	E CAPACITOR	47uF 50V M	
C3008	QETN1HM-474Z	E CAPACITOR	0.47uF 50V M	
C3009	QETN1HM-106Z	E CAPACITOR	10uF 50V M	
C3010	QFLC1HJ-104Z	M CAPACITOR	0.1uF 50V J	
C3011	QFLC1HJ-104Z	M CAPACITOR	0.1uF 50V J	
C3012	QFLC1HJ-104Z	M CAPACITOR	0.1uF 50V J	
C3013	QFLC1HJ-104Z	M CAPACITOR	0.1uF 50V J	
C3019	QENC1EM-106Z	BP E CAPACITOR	10uF 25V M	
C3020	QENC1EM-106Z	BP E CAPACITOR	10uF 25V M	
C3021	QETN1HM-106Z	E CAPACITOR	10uF 50V M	
C3022	QCB11HK-221Y	C CAPACITOR	220pF 50V K	
C3023	QCB11HK-103Y	C CAPACITOR	0.01uF 50V K	
C3024	QETN1HM-106Z	E CAPACITOR	10uF 50V M	
C3025	QETN1HM-106Z	E CAPACITOR	10uF 50V M	
C3026	QETN1HM-106Z	E CAPACITOR	10uF 50V M	
C3027	QETN1HM-106Z	E CAPACITOR	10uF 50V M	
C3032	QETN1HM-106Z	E CAPACITOR	10uF 50V M	
C3033	QETN1CM-107Z	E CAPACITOR	100uF 16V M	
C3034	QETN1CM-107Z	E CAPACITOR	100uF 16V M	
C3035	QETN1HM-106Z	E CAPACITOR	10uF 50V M	
C3036	QETM1CM-478	E CAPACITOR	4700uF 16V M	
C3037	QETM1EM-478	E CAPACITOR	4700uF 25V M	
C3038	QEZ0578-828	E CAPACITOR	8200uF	
C3039	QETN1HM-475Z	E CAPACITOR	4.7uF 50V M	
C3040	QETN1CM-106Z	E CAPACITOR	10uF 16V M	
C3043	QEZ0578-828	E CAPACITOR	8200uF	
C3044	QTE1V06-106Z	E CAPACITOR	10uF 35V	
C3045	QTE1V06-106Z	E CAPACITOR	10uF 35V	
C3046	QCB11HK-151Y	C CAPACITOR	150pF 50V K	
C3047	QCB11HK-151Y	C CAPACITOR	150pF 50V K	
C3048	QETN1CM-107Z	E CAPACITOR	100uF 16V M	
C3050	QETN1HM-476Z	E CAPACITOR	47uF 50V M	
C3051	QETN1HM-474Z	E CAPACITOR	0.47uF 50V M	
C3052	QETN1EM-107Z	E CAPACITOR	100uF 25V M	
C3053	QFLC1HJ-104Z	M CAPACITOR	0.1uF 50V J	
C3054	QFLC1HJ-104Z	M CAPACITOR	0.1uF 50V J	
C3055	QFLC1HJ-104Z	M CAPACITOR	0.1uF 50V J	
C3056	QFLC1HJ-104Z	M CAPACITOR	0.1uF 50V J	
C3057	QETN1EM-107Z	E CAPACITOR	100uF 25V M	
C3062	QENC1EM-106Z	BP E CAPACITOR	10uF 25V M	
C3063	QENC1EM-106Z	BP E CAPACITOR	10uF 25V M	
C3073	QDGB1HK-102Y	C CAPACITOR	1000pF 50V K	
C3074	QDGB1HK-102Y	C CAPACITOR	1000pF 50V K	
C3075	QDGB1HK-102Y	C CAPACITOR	1000pF 50V K	
C3076	QDGB1HK-102Y	C CAPACITOR	1000pF 50V K	
C3077	QCB11HK-221Y	C CAPACITOR	220pF 50V K	
C5211	QCB11HK-103Y	C CAPACITOR	0.01uF 50V K	
C5221	QCB11HK-103Y	C CAPACITOR	0.01uF 50V K	
C5230	QCB11HK-103Y	C CAPACITOR	0.01uF 50V K	
C9001	QFLC1HJ-223Z	M CAPACITOR	0.022uF 50V J	
C9002	QFLC1HJ-223Z	M CAPACITOR	0.022uF 50V J	
C9003	QFLC1HJ-223Z	M CAPACITOR	0.022uF 50V J	
C9004	QFLC1HJ-223Z	M CAPACITOR	0.022uF 50V J	
C9005	QFLC1HJ-223Z	M CAPACITOR	0.022uF 50V J	

△ Symbol No.	Part No.	Part Name	Description	Local	△ Symbol No.	Part No.	Part Name	Description	Local
C9006	QFLC1HJ-223Z	M CAPACITOR	0.022uF 50V J		R9304	QRE141J-102Y	C RESISTOR	1kΩ 1/4W J	
C9007	QFLC1HJ-223Z	M CAPACITOR	0.022uF 50V J		R9305	QRE141J-181Y	C RESISTOR	180Ω 1/4W J	
C9008	QFLC1HJ-223Z	M CAPACITOR	0.022uF 50V J						S77UJ, S77UN, S77US, S77UW, S77UX
C9009	QFLC1HJ-223Z	M CAPACITOR	0.022uF 50V J		R9401	QRE141J-203Y	C RESISTOR	20kΩ 1/4W J	
C9010	QFLC1HJ-223Z	M CAPACITOR	0.022uF 50V J						S77UJ, S77UN, S77US, S77UW, S77UX
C9011	QFLC1HJ-223Z	M CAPACITOR	0.022uF 50V J						S77UJ, S77UN, S77US, S77UW, S77UX
C9012	QFLC1HJ-223Z	M CAPACITOR	0.022uF 50V J		R9402	QRE141J-203Y	C RESISTOR	20kΩ 1/4W J	
C9101	QETM1CM-228	E CAPACITOR	2200uF 16V M	S77A					S77UJ, S77UN, S77US, S77UW, S77UX
△ C9102	QCZ9105-472	C CAPACITOR	4700pF 250V M		△ R9403	QRZ9042-2R2X	F RESISTOR	2.2Ω	
C9103	QETM2AM-477	E CAPACITOR	470uF 100V M	S77UJ, S77UN, S77US, S77UW, S77UX	R9404	QRE141J-203Y	C RESISTOR	20kΩ 1/4W J	
C9301	QETN1CM-107Z	E CAPACITOR	100uF 16V M		R9405	QRE141J-203Y	C RESISTOR	20kΩ 1/4W J	
C9302	QCBB1HK-103Y	C CAPACITOR	0.01uF 50V K						S77UJ, S77UN, S77US, S77UW, S77UX
C9303	QETN1HM-106Z	E CAPACITOR	10uF 50V M						S77UJ, S77UN, S77US, S77UW, S77UX
C9304	QEKC1AM-107Z	E CAPACITOR	100uF 10V M						S77UJ, S77UN, S77US, S77UW, S77UX
C9401	QFLC2AJ-472Z	M CAPACITOR	4700pF 100V J	S77UJ, S77UN, S77US, S77UW, S77UX	L5211	QQL231K-470Y	COIL	47uH K	
C9402	QDYB1CM-103Y	C CAPACITOR	0.01uF 16V M	S77UJ, S77UN, S77US, S77UW, S77UX	L5221	QQL231K-470Y	COIL	47uH K	
R3000	QRE141J-622Y	C RESISTOR	6.2kΩ 1/4W J		△ T9002	QQT0253-002	POWER TRANSF		S77A S77UJ, S77UN, S77US, S77UW, S77UX
R3001	QRE141J-622Y	C RESISTOR	6.2kΩ 1/4W J		△ T9003	QQT0370-011	POWER TRANSF		
R3002	QRE141J-333Y	C RESISTOR	33kΩ 1/4W J						
R3003	QRE141J-333Y	C RESISTOR	33kΩ 1/4W J		CN301	QGB2024K1-11S	CONNECTOR	B-B (1-11)	
R3004	QRE141J-102Y	C RESISTOR	1kΩ 1/4W J		CN302	QGB1214K1-20S	CONNECTOR	B-B (1-20)	
R3005	QRE141J-102Y	C RESISTOR	1kΩ 1/4W J		CN303	QGF1036C1-26	CONNECTOR	FFC/FPC (1-26)	
R3006	QRE141J-103Y	C RESISTOR	10kΩ 1/4W J		CN304	QGB2510K1-12	CONNECTOR	B-B (1-12)	
R3007	QRE141J-2R2Y	C RESISTOR	2.2Ω 1/4W J		CN305	QGB2510K1-13	CONNECTOR	B-B (1-13)	
R3008	QRE141J-2R2Y	C RESISTOR	2.2Ω 1/4W J		CN601	QGF1036F1-06	CONNECTOR	FFC/FPC (1-6)	
R3009	QRE141J-2R2Y	C RESISTOR	2.2Ω 1/4W J		CN602	QGF1036F1-26	CONNECTOR	FFC/FPC (1-26)	
R3010	QRE141J-2R2Y	C RESISTOR	2.2Ω 1/4W J		CN603	QGF1205F1-06	CONNECTOR	FFC/FPC (1-6)	
R3019	QRE141J-562Y	C RESISTOR	5.6kΩ 1/4W J		CN604	QGF1036F1-26	CONNECTOR	FFC/FPC (1-26)	
R3020	QRE141J-562Y	C RESISTOR	5.6kΩ 1/4W J		△ CN901	QGA7901F2-02	CONNECTOR	W-B (1-2)	
R3021	QRE141J-562Y	C RESISTOR	5.6kΩ 1/4W J		CN902	QGB2510J1-12	CONNECTOR	B-B (1-12)	
R3022	QRE141J-562Y	C RESISTOR	5.6kΩ 1/4W J						S77UJ, S77UN, S77US, S77UW, S77UX
R3023	QRE141J-472Y	C RESISTOR	4.7kΩ 1/4W J		CN903	QGA7901C1-04	CONNECTOR	W-B (1-4)	
R3024	QRE141J-681Y	C RESISTOR	680Ω 1/4W J						
R3025	QRE141J-272Y	C RESISTOR	2.7kΩ 1/4W J		CN904	QGA7901C1-02	CONNECTOR	W-B (1-2)	
R3026	QRE141J-681Y	C RESISTOR	680Ω 1/4W J		CN905	QGA3901C1-05	CONNECTOR	W-B (1-5)	
R3027	QRE141J-102Y	C RESISTOR	1kΩ 1/4W J		CN907	QGA7901C1-02	CONNECTOR	W-B (1-2)	S77A
R3028	QRE141J-102Y	C RESISTOR	1kΩ 1/4W J		EP301	QNZ0136-001Z	EARTH PLATE		
R3029	QRE141J-102Y	C RESISTOR	1kΩ 1/4W J		FT901	QNG0003-001Z	FUSE CLIP		
R3030	QRE141J-390Y	C RESISTOR	39Ω 1/4W J		FT902	QNG0003-001Z	FUSE CLIP		
R3031	QRE141J-273Y	C RESISTOR	27kΩ 1/4W J		FT903	QNG0003-001Z	FUSE CLIP		
R3033	QRE141J-103Y	C RESISTOR	10kΩ 1/4W J		FT904	QNG0003-001Z	FUSE CLIP		
R3034	QRE141J-102Y	C RESISTOR	1kΩ 1/4W J		FT905	QNG0003-001Z	FUSE CLIP		
R3035	QRE141J-153Y	C RESISTOR	15kΩ 1/4W J		FT906	QNG0003-001Z	FUSE CLIP		
R3036	QRE141J-223Y	C RESISTOR	22kΩ 1/4W J		FT907	QNG0003-001Z	FUSE CLIP		
R3037	QRE141J-302Y	C RESISTOR	3kΩ 1/4W J		FT908	QNG0003-001Z	FUSE CLIP		
R3038	QRE141J-472Y	C RESISTOR	4.7kΩ 1/4W J		FT909	QNG0003-001Z	FUSE CLIP		
R3039	QRE141J-472Y	C RESISTOR	4.7kΩ 1/4W J		FT910	QNG0003-001Z	FUSE CLIP		
R3040	QRE141J-333Y	C RESISTOR	33kΩ 1/4W J						S77UJ, S77UN, S77US, S77UW, S77UX
R3041	QRE141J-333Y	C RESISTOR	33kΩ 1/4W J		FT911	QNG0003-001Z	FUSE CLIP		
R3042	QRE141J-102Y	C RESISTOR	1kΩ 1/4W J						S77UJ, S77UN, S77US, S77UW, S77UX
R3043	QRE141J-102Y	C RESISTOR	1kΩ 1/4W J		FT912	QNG0003-001Z	FUSE CLIP		
R3044	QRE141J-102Y	C RESISTOR	1kΩ 1/4W J						S77UJ, S77UN, S77US, S77UW, S77UX
R3045	QRE141J-103Y	C RESISTOR	10kΩ 1/4W J						S77UJ, S77UN, S77US, S77UW, S77UX
R3046	QRE141J-2R2Y	C RESISTOR	2.2Ω 1/4W J		HS901	LE40505-001A	HEAT SINK		
R3047	QRE141J-2R2Y	C RESISTOR	2.2Ω 1/4W J						S77UJ, S77UN, S77US, S77UW, S77UX
R3048	QRE141J-2R2Y	C RESISTOR	2.2Ω 1/4W J		J3001	QNB0171-002	SPK TERMINAL		
R3049	QRE141J-2R2Y	C RESISTOR	2.2Ω 1/4W J						S77UJ, S77UN, S77US, S77UW, S77UX
R3056	QRE141J-103Y	C RESISTOR	10kΩ 1/4W J						S77UJ, S77UN, S77US, S77UW, S77UX
R3057	QRE141J-103Y	C RESISTOR	10kΩ 1/4W J						S77UJ, S77UN, S77US, S77UW, S77UX
R3058	QRE141J-103Y	C RESISTOR	10kΩ 1/4W J						S77UJ, S77UN, S77US, S77UW, S77UX
R3059	QRE141J-103Y	C RESISTOR	10kΩ 1/4W J						S77UJ, S77UN, S77US, S77UW, S77UX
R3062	QRE141J-101Y	C RESISTOR	100Ω 1/4W J						S77UJ, S77UN, S77US, S77UW, S77UX
R3063	QRE141J-101Y	C RESISTOR	100Ω 1/4W J						S77UJ, S77UN, S77US, S77UW, S77UX
R9101	QRE141J-332Y	C RESISTOR	3.3kΩ 1/4W J						S77UJ, S77UN, S77US, S77UW, S77UX
R9301	QRE141J-103Y	C RESISTOR	10kΩ 1/4W J						S77UJ, S77UN, S77US, S77UW, S77UX
R9302	QRE141J-102Y	C RESISTOR	1kΩ 1/4W J						S77UJ, S77UN, S77US, S77UW, S77UX
R9303	QRE141J-102Y	C RESISTOR	1kΩ 1/4W J						S77UJ, S77UN, S77US, S77UW, S77UX

△ Symbol No.	Part No.	Part Name	Description	Local
J5201	QNS0170-001	HEADPHONE JACK		
K5211	QQR0621-001Z	COIL		
PP300	QZW0112-001	WIRE CLAMP		
PP901	QZW0112-001	WIRE CLAMP		
PP902	QZW0112-001	WIRE CLAMP		
△ RY901	QSK0124-001	RELAY		
				S77UJ, S77UN, S77US, S77UW, S77UX
△ S9001	QSW0838-001	VOLTAGE SWITCH		
TH301	QAD0015-103Z	THERMISTOR	10kΩ	

Micon board

Block No. [0][2][0][0]

△ Symbol No.	Part No.	Part Name	Description	Local
IC202	JCV8011-X	IC		
IC203	HA17558AF-X	IC		
IC207	NJM4565M-WE	IC		
IC520	GP1UM261XK	IR DETECT UNIT	38kHz	
IC550	NJU6433FG1	LCD DRIVER		
IC900	MN101C49GFG	IC		
IC901	LC75342M-X	IC		
IC910	GP1FA553TZ	OPT TRANSMITTER		
IC999	BR24L01AF-W-X	IC		
Q2070	2SD601A/R/-X	TRANSISTOR		
Q2071	2SD601A/R/-X	TRANSISTOR		
Q2170	2SD601A/R/-X	TRANSISTOR		
Q2171	2SD601A/R/-X	TRANSISTOR		
Q2250	2SD601A/R/-X	TRANSISTOR		
Q2251	UN2111-X	TRANSISTOR		
Q2270	UN2111-X	TRANSISTOR		
Q2900	2SC2412K/R/-X	TRANSISTOR		
Q7035	UN2215-X	TRANSISTOR		
Q7036	UN2215-X	TRANSISTOR		
Q7074	UN2211-X	TRANSISTOR		
Q7300	2SD601A/R/-X	TRANSISTOR		
Q7301	UN2215-X	TRANSISTOR		
Q7400	KTC3199/GL/-T	TRANSISTOR		
Q7401	KTC3199/GL/-T	TRANSISTOR		
Q7402	KTC3199/GL/-T	TRANSISTOR		
Q7600	2SB709A/R/-X	TRANSISTOR		
Q7601	UN2211-X	TRANSISTOR		
Q7700	UN2211-X	TRANSISTOR		
Q7701	UN2211-X	TRANSISTOR		
Q7710	UN2211-X	TRANSISTOR		
Q7711	UN2211-X	TRANSISTOR		
Q7940	2SD601A/R/-X	TRANSISTOR		
Q7941	2SD601A/R/-X	TRANSISTOR		
Q7950	UN2115-X	D.TRANSISTOR		
D2100	1SS119-041-T2	DIODE		
D2101	1SS119-041-T2	DIODE		
D2321	MTZJ4.7B-T2	Z DIODE		
D2770	1SS119-041-T2	DIODE		
D2900	1N4003S-T5	SI DIODE		
D2901	1SS119-041-T2	DIODE		
D5260	SPR-39MWWF	LED	RED-GREEN	
D5460	SELU1E10WXM-P	LED		
D5461	SELU1E10WXM-P	LED		
D5462	SELU1E10WXM-P	LED		
D7075	1SS355-X	SI DIODE		
D7206	MTZJ5.6C-T2	Z DIODE		
D7209	MTZJ5.6C-T2	Z DIODE		
D7300	1SS119-041-T2	DIODE		
D7301	1SS119-041-T2	DIODE		
D7302	MTZJ5.1C-T2	Z DIODE		
D7303	1SS119-041-T2	DIODE		
D7304	1SS119-041-T2	DIODE		
D7600	1SS119-041-T2	DIODE		
D7802	MTZJ6.2C-T2	Z DIODE		

△ Symbol No.	Part No.	Part Name	Description	Local
C2004	QETN1HM-475Z	E CAPACITOR	4.7uF 50V M	
C2005	QETN1HM-475Z	E CAPACITOR	4.7uF 50V M	
C2006	QETN1HM-475Z	E CAPACITOR	4.7uF 50V M	
C2007	QETN1HM-475Z	E CAPACITOR	4.7uF 50V M	
C2008	QTE1H28-106Z	E CAPACITOR	10uF 50V	
C2009	QETN1EM-106Z	E CAPACITOR	10uF 25V M	
C2010	QFLC1HJ-272Z	M CAPACITOR	2700pF 50V J	
C2011	QFLC1HJ-104Z	M CAPACITOR	0.1uF 50V J	
C2012	QFLC1HJ-104Z	M CAPACITOR	0.1uF 50V J	
C2013	QFLC1HJ-823Z	M CAPACITOR	0.082uF 50V J	
C2019	QFLC1HJ-103Z	M CAPACITOR	0.01uF 50V J	
C2051	QETN1EM-106Z	E CAPACITOR	10uF 25V M	
C2053	QETN1EM-106Z	E CAPACITOR	10uF 25V M	
C2061	QFLC1HJ-123Z	M CAPACITOR	0.012uF 50V J	
C2062	QFLC1HJ-123Z	M CAPACITOR	0.012uF 50V J	
C2071	QETN1HM-225Z	E CAPACITOR	2.2uF 50V M	
C2072	NDC31HJ-151X	C CAPACITOR	150pF 50V J	
C2073	NCS31HJ-101X	C CAPACITOR	100pF 50V J	
C2074	NCB31HK-331X	C CAPACITOR	330pF 50V K	
C2075	QETN1CM-107Z	E CAPACITOR	100uF 16V M	
C2100	NCB31HK-221X	C CAPACITOR	220pF 50V K	
C2101	NCB31HK-221X	C CAPACITOR	220pF 50V K	
C2102	NCB31HK-102X	C CAPACITOR	1000pF 50V K	
C2104	QETN1HM-475Z	E CAPACITOR	4.7uF 50V M	
C2105	QETN1HM-475Z	E CAPACITOR	4.7uF 50V M	
C2106	QETN1HM-475Z	E CAPACITOR	4.7uF 50V M	
C2107	QETN1HM-475Z	E CAPACITOR	4.7uF 50V M	
C2108	QTE1H28-106Z	E CAPACITOR	10uF 50V	
C2109	QETN1EM-106Z	E CAPACITOR	10uF 25V M	
C2110	QFLC1HJ-272Z	M CAPACITOR	2700pF 50V J	
C2111	QFLC1HJ-104Z	M CAPACITOR	0.1uF 50V J	
C2112	QFLC1HJ-104Z	M CAPACITOR	0.1uF 50V J	
C2113	QFLC1HJ-823Z	M CAPACITOR	0.082uF 50V J	
C2119	QFLC1HJ-103Z	M CAPACITOR	0.01uF 50V J	
C2151	QETN1EM-106Z	E CAPACITOR	10uF 25V M	
C2153	QETN1EM-106Z	E CAPACITOR	10uF 25V M	
C2161	QFLC1HJ-123Z	M CAPACITOR	0.012uF 50V J	
C2162	QFLC1HJ-123Z	M CAPACITOR	0.012uF 50V J	
C2171	QETN1HM-225Z	E CAPACITOR	2.2uF 50V M	
C2172	NDC31HJ-151X	C CAPACITOR	150pF 50V J	
C2173	NCS31HJ-101X	C CAPACITOR	100pF 50V J	
C2174	NCB31HK-331X	C CAPACITOR	330pF 50V K	
C2175	QETN1CM-107Z	E CAPACITOR	100uF 16V M	
C2221	QETN1CM-226Z	E CAPACITOR	22uF 16V M	
C2222	QETN1CM-107Z	E CAPACITOR	100uF 16V M	
C2223	QFLC1HJ-104Z	M CAPACITOR	0.1uF 50V J	
C2240	QETN1HM-475Z	E CAPACITOR	4.7uF 50V M	
C2241	QETN1HM-105Z	E CAPACITOR	1uF 50V M	
C2242	QETN1HM-475Z	E CAPACITOR	4.7uF 50V M	
C2250	QETN1EM-476Z	E CAPACITOR	47uF 25V M	
C2251	QETN1EM-476Z	E CAPACITOR	47uF 25V M	
C2252	QFLC1HJ-273Z	M CAPACITOR	0.027uF 50V J	
C2253	QETN1HM-225Z	E CAPACITOR	2.2uF 50V M	
C2254	QETN1HM-106Z	E CAPACITOR	10uF 50V M	
C2255	QETN1EM-106Z	E CAPACITOR	10uF 25V M	
C2256	QETN1HM-475Z	E CAPACITOR	4.7uF 50V M	
C2257	QETN1EM-106Z	E CAPACITOR	10uF 25V M	
C2258	QETN1EM-106Z	E CAPACITOR	10uF 25V M	
C2259	QETN1HM-224Z	E CAPACITOR	0.22uF 50V M	
C2261	QFLC1HJ-333Z	M CAPACITOR	0.033uF 50V J	
C2262	QFLC1HJ-333Z	M CAPACITOR	0.033uF 50V J	
C2270	QETN1CM-476Z	E CAPACITOR	47uF 16V M	
C2271	QETN1CM-226Z	E CAPACITOR	22uF 16V M	
C2272	QETN1HM-225Z	E CAPACITOR	2.2uF 50V M	
C2301	QFLC1HJ-823Z	M CAPACITOR	0.082uF 50V J	
C2302	QETN1CM-226Z	E CAPACITOR	22uF 16V M	
C2312	QETN1CM-226Z	E CAPACITOR	22uF 16V M	
C2321	QETN1CM-107Z	E CAPACITOR	100uF 16V M	
C2322	QETN1CM-107Z	E CAPACITOR	100uF 16V M	
C2361	QFLC1HJ-333Z	M CAPACITOR	0.033uF 50V J	
C2362	QFLC1HJ-333Z	M CAPACITOR	0.033uF 50V J	
C2702	NCB31HK-103X	C CAPACITOR	0.01uF 50V K	
C2900	NCB31HK-103X	C CAPACITOR	0.01uF 50V K	
C3211	QFLC1HJ-823Z	M CAPACITOR	0.082uF 50V J	
C5104	NCB31HK-103X	C CAPACITOR	0.01uF 50V K	
C5105	NCB31HK-103X	C CAPACITOR	0.01uF 50V K	
C5200	NCB31HK-103X	C CAPACITOR	0.01uF 50V K	
C5201	QERF1CM-226Z	E CAPACITOR	22uF 16V M	

△ Symbol No.	Part No.	Part Name	Description	Local	△ Symbol No.	Part No.	Part Name	Description	Local
C5500	QERF1AM-107Z	E CAPACITOR	100uF 10V M		R2256	NRSA63J-562X	MG RESISTOR	5.6kΩ 1/16W J	
C7010	NCB31HK-103X	C CAPACITOR	0.01uF 50V K		R2257	NRSA63J-432X	MG RESISTOR	4.3kΩ 1/16W J	
C7012	NDC31HJ-330X	C CAPACITOR	33pF 50V J		R2258	NRSA63J-272X	MG RESISTOR	2.7kΩ 1/16W J	
C7014	NDC31HJ-330X	C CAPACITOR	33pF 50V J		R2259	QRZ9005-470X	FUSI RESISTOR	47Ω 1/4W G	
C7015	NCB31HK-103X	C CAPACITOR	0.01uF 50V K		R2261	NRSA63J-182X	MG RESISTOR	1.8kΩ 1/16W J	
C7204	NCB31HK-102X	C CAPACITOR	1000pF 50V K		R2262	NRSA63J-182X	MG RESISTOR	1.8kΩ 1/16W J	
C7234	NCB31HK-103X	C CAPACITOR	0.01uF 50V K		R2270	QRZ9005-470X	FUSI RESISTOR	47Ω 1/4W G	
C7274	NCB31HK-331X	C CAPACITOR	330pF 50V K		R2271	NRSA63J-473X	MG RESISTOR	47kΩ 1/16W J	
C7300	QEKC1CM-107Z	E CAPACITOR	100uF 16V M		R2272	NRSA63J-473X	MG RESISTOR	47kΩ 1/16W J	
C7301	QETN1HM-475Z	E CAPACITOR	4.7uF 50V M		R2273	NRSA63J-0R0X	MG RESISTOR	0Ω 1/16W J	
C7302	QETN1HM-225Z	E CAPACITOR	2.2uF 50V M		R2275	NRSA63J-103X	MG RESISTOR	10kΩ 1/16W J	
C7303	QETN0JM-108Z	E CAPACITOR	1000uF 6.3V M		R2303	NRSA63J-472X	MG RESISTOR	4.7kΩ 1/16W J	
C7304	NCB31HK-103X	C CAPACITOR	0.01uF 50V K		R2305	NRSA63J-823X	MG RESISTOR	82kΩ 1/16W J	
C7305	QETN1CM-107Z	E CAPACITOR	100uF 16V M		R2306	NRSA63J-472X	MG RESISTOR	4.7kΩ 1/16W J	
C7400	QETN1CM-476Z	E CAPACITOR	47uF 16V M		R2313	NRSA63J-472X	MG RESISTOR	4.7kΩ 1/16W J	
C7401	QETN1CM-476Z	E CAPACITOR	47uF 16V M		R2315	NRSA63J-823X	MG RESISTOR	82kΩ 1/16W J	
C7402	QETN1CM-476Z	E CAPACITOR	47uF 16V M		R2316	NRSA63J-472X	MG RESISTOR	4.7kΩ 1/16W J	
C7600	QETN1HM-475Z	E CAPACITOR	4.7uF 50V M		R2321	QRE141J-101Y	C RESISTOR	100Ω 1/4W J	
C7608	QETN1CM-107Z	E CAPACITOR	100uF 16V M		R2322	QRE141J-102Y	C RESISTOR	1kΩ 1/4W J	
C7801	QETN1EM-476Z	E CAPACITOR	47uF 25V M		R2361	NRSA63J-182X	MG RESISTOR	1.8kΩ 1/16W J	
C7803	QCBB1HK-103Y	C CAPACITOR	0.01uF 50V K		R2362	NRSA63J-182X	MG RESISTOR	1.8kΩ 1/16W J	
				S77A, S77UN, S77US, S77UW, S77UX	R2900	NRSA63J-104X	MG RESISTOR	100kΩ 1/16W J	
C7805	QCBB1HK-103Y	C CAPACITOR	0.01uF 50V K		R2901	NRSA63J-394X	MG RESISTOR	390kΩ 1/16W J	
					R2902	NRSA63J-823X	MG RESISTOR	82kΩ 1/16W J	
C7910	QETN1HM-475Z	E CAPACITOR	4.7uF 50V M		R2903	NRSA63J-823X	MG RESISTOR	82kΩ 1/16W J	
C7911	QETN1HM-475Z	E CAPACITOR	4.7uF 50V M		R2906	NRSA63J-102X	MG RESISTOR	1kΩ 1/16W J	
C7912	QETN1EM-476Z	E CAPACITOR	47uF 25V M		R2907	NRSA63J-102X	MG RESISTOR	1kΩ 1/16W J	
					R2908	NRSA63J-102X	MG RESISTOR	1kΩ 1/16W J	
R2009	NRSA63J-472X	MG RESISTOR	4.7kΩ 1/16W J						S77UJ, S77UN, S77US, S77UW, S77UX
R2011	NRSA63J-392X	MG RESISTOR	3.9kΩ 1/16W J		R2909	NRSA63J-113X	MG RESISTOR	11kΩ 1/16W J	
R2050	NRSA63J-103X	MG RESISTOR	10kΩ 1/16W J						
R2051	NRSA63J-103X	MG RESISTOR	10kΩ 1/16W J		R2910	NRSA63J-102X	MG RESISTOR	1kΩ 1/16W J	
R2052	NRSA63J-222X	MG RESISTOR	2.2kΩ 1/16W J						S77UJ, S77UN, S77US, S77UW, S77UX
R2053	NRSA63J-0R0X	MG RESISTOR	0Ω 1/16W J		R2911	NRSA63J-113X	MG RESISTOR	11kΩ 1/16W J	
R2055	NRSA63J-182X	MG RESISTOR	1.8kΩ 1/16W J						
R2061	NRSA63J-681X	MG RESISTOR	680Ω 1/16W J		R2916	NRSA63J-152X	MG RESISTOR	1.5kΩ 1/16W J	
R2062	NRSA63J-681X	MG RESISTOR	680Ω 1/16W J		R2917	NRSA63J-152X	MG RESISTOR	1.5kΩ 1/16W J	
R2070	NRSA63J-332X	MG RESISTOR	3.3kΩ 1/16W J		R5100	NRSA63J-102X	MG RESISTOR	1kΩ 1/16W J	
R2071	NRSA63J-103X	MG RESISTOR	10kΩ 1/16W J		R5101	NRSA63J-102X	MG RESISTOR	1kΩ 1/16W J	
R2072	NRSA63J-220X	MG RESISTOR	22Ω 1/16W J		R5102	NRSA63J-122X	MG RESISTOR	1.2kΩ 1/16W J	
R2073	NRSA63J-393X	MG RESISTOR	39kΩ 1/16W J		R5103	NRSA63J-152X	MG RESISTOR	1.5kΩ 1/16W J	
R2074	NRSA63J-563X	MG RESISTOR	56kΩ 1/16W J		R5104	NRSA63J-222X	MG RESISTOR	2.2kΩ 1/16W J	
R2075	NRSA63J-332X	MG RESISTOR	3.3kΩ 1/16W J		R5105	NRSA63J-272X	MG RESISTOR	2.7kΩ 1/16W J	
R2076	NRSA63J-222X	MG RESISTOR	2.2kΩ 1/16W J		R5106	NRSA63J-392X	MG RESISTOR	3.9kΩ 1/16W J	
R2077	NRSA63J-222X	MG RESISTOR	2.2kΩ 1/16W J		R5107	NRSA63J-562X	MG RESISTOR	5.6kΩ 1/16W J	
R2078	NRSA63J-222X	MG RESISTOR	2.2kΩ 1/16W J		R5110	NRSA63J-392X	MG RESISTOR	3.9kΩ 1/16W J	
R2100	NRSA63J-393X	MG RESISTOR	39kΩ 1/16W J		R5111	NRSA63J-272X	MG RESISTOR	2.7kΩ 1/16W J	
R2101	NRSA63J-393X	MG RESISTOR	39kΩ 1/16W J		R5112	NRSA63J-222X	MG RESISTOR	2.2kΩ 1/16W J	
R2102	NRSA63J-103X	MG RESISTOR	10kΩ 1/16W J		R5113	NRSA63J-152X	MG RESISTOR	1.5kΩ 1/16W J	
R2103	NRSA63J-103X	MG RESISTOR	10kΩ 1/16W J		R5114	NRSA63J-122X	MG RESISTOR	1.2kΩ 1/16W J	
R2109	NRSA63J-472X	MG RESISTOR	4.7kΩ 1/16W J		R5115	NRSA63J-102X	MG RESISTOR	1kΩ 1/16W J	
R2111	NRSA63J-392X	MG RESISTOR	3.9kΩ 1/16W J		R5116	NRSA63J-102X	MG RESISTOR	1kΩ 1/16W J	
R2150	NRSA63J-103X	MG RESISTOR	10kΩ 1/16W J		R5500	NRSA63J-103X	MG RESISTOR	10kΩ 1/16W J	
R2151	NRSA63J-103X	MG RESISTOR	10kΩ 1/16W J		R5501	NRSA63J-134X	MG RESISTOR	130kΩ 1/16W J	
R2152	NRSA63J-222X	MG RESISTOR	2.2kΩ 1/16W J		R7002	NRSA63J-332X	MG RESISTOR	3.3kΩ 1/16W J	
R2153	NRSA63J-0R0X	MG RESISTOR	0Ω 1/16W J		R7003	NRSA63J-222X	MG RESISTOR	2.2kΩ 1/16W J	
R2155	NRSA63J-182X	MG RESISTOR	1.8kΩ 1/16W J		R7004	NRSA63J-222X	MG RESISTOR	2.2kΩ 1/16W J	
R2161	NRSA63J-681X	MG RESISTOR	680Ω 1/16W J		R7005	NRSA63J-473X	MG RESISTOR	47kΩ 1/16W J	
R2162	NRSA63J-681X	MG RESISTOR	680Ω 1/16W J						S77A, S77UJ, S77UN, S77US, S77UW, S77UX
R2170	NRSA63J-332X	MG RESISTOR	3.3kΩ 1/16W J		R7005	NRSA63J-203X	MG RESISTOR	20kΩ 1/16W J	
R2171	NRSA63J-103X	MG RESISTOR	10kΩ 1/16W J						
R2172	NRSA63J-220X	MG RESISTOR	22Ω 1/16W J		R7005	NRSA63J-472X	MG RESISTOR	4.7kΩ 1/16W J	
R2173	NRSA63J-393X	MG RESISTOR	39kΩ 1/16W J		R7005	NRSA63J-912X	MG RESISTOR	9.1kΩ 1/16W J	
R2174	NRSA63J-563X	MG RESISTOR	56kΩ 1/16W J		R7006	NRSA63J-222X	MG RESISTOR	2.2kΩ 1/16W J	
R2175	NRSA63J-332X	MG RESISTOR	3.3kΩ 1/16W J		R7007	NRSA63J-222X	MG RESISTOR	2.2kΩ 1/16W J	
R2176	NRSA63J-222X	MG RESISTOR	2.2kΩ 1/16W J		R7008	NRSA63J-222X	MG RESISTOR	2.2kΩ 1/16W J	
R2177	NRSA63J-222X	MG RESISTOR	2.2kΩ 1/16W J		R7009	NRSA63J-222X	MG RESISTOR	2.2kΩ 1/16W J	
R2178	NRSA63J-222X	MG RESISTOR	2.2kΩ 1/16W J		R7018	NRSA63J-222X	MG RESISTOR	2.2kΩ 1/16W J	
R2221	QRE141J-101Y	C RESISTOR	100Ω 1/4W J		R7019	NRSA63J-222X	MG RESISTOR	2.2kΩ 1/16W J	
R2222	NRSA63J-222X	MG RESISTOR	2.2kΩ 1/16W J		R7020	NRSA63J-222X	MG RESISTOR	2.2kΩ 1/16W J	
R2223	NRSA63J-222X	MG RESISTOR	2.2kΩ 1/16W J		R7021	NRSA63J-222X	MG RESISTOR	2.2kΩ 1/16W J	
R2250	NRSA63J-474X	MG RESISTOR	470kΩ 1/16W J		R7022	NRSA63J-222X	MG RESISTOR	2.2kΩ 1/16W J	
R2251	NRSA63J-474X	MG RESISTOR	470kΩ 1/16W J		R7023	NRSA63J-222X	MG RESISTOR	2.2kΩ 1/16W J	
R2252	NRSA63J-101X	MG RESISTOR	100Ω 1/16W J		R7024	NRSA63J-222X	MG RESISTOR	2.2kΩ 1/16W J	
R2253	NRSA63J-225X	MG RESISTOR	2.2MΩ 1/16W J		R7025	NRSA63J-222X	MG RESISTOR	2.2kΩ 1/16W J	
R2254	NRSA63J-153X	MG RESISTOR	15kΩ 1/16W J						
R2255	NRSA63J-104X	MG RESISTOR	100kΩ 1/16W J						

△ Symbol No.	Part No.	Part Name	Description	Local	△ Symbol No.	Part No.	Part Name	Description	Local
R7026	NRSA63J-222X	MG RESISTOR	2.2kΩ 1/16W J		R7305	NRSA63J-331X	MG RESISTOR	330Ω 1/16W J	
R7027	NRSA63J-222X	MG RESISTOR	2.2kΩ 1/16W J		R7401	NRSA63J-391X	MG RESISTOR	390Ω 1/16W J	
R7028	NRSA63J-222X	MG RESISTOR	2.2kΩ 1/16W J		R7402	NRSA63J-391X	MG RESISTOR	390Ω 1/16W J	
R7029	NRSA63J-222X	MG RESISTOR	2.2kΩ 1/16W J		R7403	NRSA63J-391X	MG RESISTOR	390Ω 1/16W J	
R7030	NRSA63J-222X	MG RESISTOR	2.2kΩ 1/16W J		R7404	NRSA63J-391X	MG RESISTOR	390Ω 1/16W J	
R7032	NRSA63J-103X	MG RESISTOR	10kΩ 1/16W J		R7405	NRSA63J-391X	MG RESISTOR	390Ω 1/16W J	
R7033	NRSA63J-102X	MG RESISTOR	1kΩ 1/16W J		R7406	NRSA63J-391X	MG RESISTOR	390Ω 1/16W J	
R7034	NRSA63J-222X	MG RESISTOR	2.2kΩ 1/16W J		R7600	NRSA63J-103X	MG RESISTOR	10kΩ 1/16W J	
R7035	NRSA63J-102X	MG RESISTOR	1kΩ 1/16W J		R7601	NRSA63J-202X	MG RESISTOR	2kΩ 1/16W J	
R7036	NRSA63J-102X	MG RESISTOR	1kΩ 1/16W J		R7602	NRSA63J-202X	MG RESISTOR	2kΩ 1/16W J	
R7037	NRSA63J-562X	MG RESISTOR	5.6kΩ 1/16W J		R7660	NRSA63J-203X	MG RESISTOR	20kΩ 1/16W J	
R7038	NRSA63J-562X	MG RESISTOR	5.6kΩ 1/16W J		R7661	NRSA63J-203X	MG RESISTOR	20kΩ 1/16W J	
R7039	NRSA63J-562X	MG RESISTOR	5.6kΩ 1/16W J		R7704	NRSA63J-103X	MG RESISTOR	10kΩ 1/16W J	
R7045	NRSA63J-122X	MG RESISTOR	1.2kΩ 1/16W J		R7705	NRSA63J-103X	MG RESISTOR	10kΩ 1/16W J	
R7046	NRSA63J-122X	MG RESISTOR	1.2kΩ 1/16W J		R7706	NRSA63J-104X	MG RESISTOR	100kΩ 1/16W J	
R7047	NRSA63J-122X	MG RESISTOR	1.2kΩ 1/16W J		R7714	NRSA63J-103X	MG RESISTOR	10kΩ 1/16W J	
R7049	NRSA63J-122X	MG RESISTOR	1.2kΩ 1/16W J		R7715	NRSA63J-103X	MG RESISTOR	10kΩ 1/16W J	
R7050	NRSA63J-122X	MG RESISTOR	1.2kΩ 1/16W J		R7716	NRSA63J-104X	MG RESISTOR	100kΩ 1/16W J	
R7051	NRSA63J-472X	MG RESISTOR	4.7kΩ 1/16W J		R7755	NRSA63J-103X	MG RESISTOR	10kΩ 1/16W J	
R7053	NRSA63J-222X	MG RESISTOR	2.2kΩ 1/16W J		R7800	NRSA63J-471X	MG RESISTOR	470Ω 1/16W J	
R7055	NRSA63J-222X	MG RESISTOR	2.2kΩ 1/16W J		R7801	NRSA63J-221X	MG RESISTOR	220Ω 1/16W J	
R7056	NRSA63J-222X	MG RESISTOR	2.2kΩ 1/16W J		R7802	NRSA63J-470X	MG RESISTOR	47Ω 1/16W J	
R7057	NRSA63J-122X	MG RESISTOR	1.2kΩ 1/16W J		R7940	NRSA63J-302X	MG RESISTOR	3kΩ 1/16W J	
R7060	NRSA63J-512X	MG RESISTOR	5.1kΩ 1/16W J		R7941	NRSA63J-302X	MG RESISTOR	3kΩ 1/16W J	
R7062	NRSA63J-222X	MG RESISTOR	2.2kΩ 1/16W J		R7944	NRSA63J-103X	MG RESISTOR	10kΩ 1/16W J	
R7063	NRSA63J-222X	MG RESISTOR	2.2kΩ 1/16W J		R7945	NRSA63J-103X	MG RESISTOR	10kΩ 1/16W J	
R7064	NRSA63J-222X	MG RESISTOR	2.2kΩ 1/16W J		L2070	QQL231K-820Y	COIL	82uH K	
R7065	NRSA63J-222X	MG RESISTOR	2.2kΩ 1/16W J		L2170	QQL231K-820Y	COIL	82uH K	
R7066	NRSA63J-222X	MG RESISTOR	2.2kΩ 1/16W J		L7010	QQL231K-4R7Y	COIL	4.7uH K	
R7067	NRSA63J-222X	MG RESISTOR	2.2kΩ 1/16W J		L7300	QQL231K-100Y	COIL	10uH K	
R7068	NRSA63J-222X	MG RESISTOR	2.2kΩ 1/16W J		L7800	QQL231K-4R7Y	COIL	4.7uH K	
R7069	NRSA63J-222X	MG RESISTOR	2.2kΩ 1/16W J		L7802	QQL231K-2R2Y	COIL	2.2uH K	
R7070	NRSA63J-222X	MG RESISTOR	2.2kΩ 1/16W J		L7803	QQL231K-2R2Y	COIL	2.2uH K	
R7071	NRSA63J-222X	MG RESISTOR	2.2kΩ 1/16W J		CN550	QGF1036F1-19	CONNECTOR	FFC/FPC (1-19)	
R7073	NRSA63J-562X	MG RESISTOR	5.6kΩ 1/16W J		CN700	QGF1036C1-19	CONNECTOR	FFC/FPC (1-19)	
R7077	NRSA63J-222X	MG RESISTOR	2.2kΩ 1/16W J		CN760	QGA2501C1-02	CONNECTOR	W-B (1-2)	
R7078	NRSA63J-222X	MG RESISTOR	2.2kΩ 1/16W J		CN761	QGB2510J1-13	CONNECTOR	B-B (1-13)	
R7080	NRSA63J-222X	MG RESISTOR	2.2kΩ 1/16W J		CN762	QGB1214J1-20S	CONNECTOR	B-B (1-20)	
R7081	NRSA63J-222X	MG RESISTOR	2.2kΩ 1/16W J		CN763	QGF1205C1-06	CONNECTOR	FFC/FPC (1-6)	
R7082	NRSA63J-222X	MG RESISTOR	2.2kΩ 1/16W J		CN764	QGF1205C1-06	CONNECTOR	FFC/FPC (1-6)	
R7083	NRSA63J-222X	MG RESISTOR	2.2kΩ 1/16W J		CN766	QGF1205C1-11	CONNECTOR	FFC/FPC (1-11)	
R7084	NRSA63J-222X	MG RESISTOR	2.2kΩ 1/16W J		CN767	QGA2501C1-04	CONNECTOR	W-B (1-4)	
R7085	NRSA63J-222X	MG RESISTOR	2.2kΩ 1/16W J		CN790	QGF1205F1-10	CONNECTOR	FFC/FPC (1-10)	
R7086	NRSA63J-222X	MG RESISTOR	2.2kΩ 1/16W J		CN791	QGF1205F1-09	CONNECTOR	FFC/FPC (1-9)	
R7087	NRSA63J-222X	MG RESISTOR	2.2kΩ 1/16W J		DI550	QLD0321-001	LCD MODULE		
R7088	NRSA63J-102X	MG RESISTOR	1kΩ 1/16W J		FW501	QUM027-10Z4Z4	CONNECTOR		
R7089	NRSA63J-102X	MG RESISTOR	1kΩ 1/16W J		J2100	QNN0420-001	SURROUND JACK		
R7090	NRSA63J-222X	MG RESISTOR	2.2kΩ 1/16W J		J5100	QSW0993-001	ROTARY ENCODER		
R7091	NRSA63J-222X	MG RESISTOR	2.2kΩ 1/16W J		J7800	QNS0089-001	3.5 JACK		
R7202	NRSA63J-332X	MG RESISTOR	3.3kΩ 1/16W J		K7001	NQR0251-004X	FERRITE BEADS		
R7203	NRSA63J-104X	MG RESISTOR	100kΩ 1/16W J		K7300	QQR0621-001Z	COIL		
R7204	NRSA63J-103X	MG RESISTOR	10kΩ 1/16W J		K7800	QQR0621-001Z	COIL		
R7206	NRSA63J-103X	MG RESISTOR	10kΩ 1/16W J		S5100	QSW0683-001Z	PUSH SW		
R7207	NRSA63J-103X	MG RESISTOR	10kΩ 1/16W J		S5101	QSW0683-001Z	PUSH SW		
R7208	NRSA63J-103X	MG RESISTOR	10kΩ 1/16W J		S5102	QSW0683-001Z	PUSH SW		
R7217	NRSA63J-103X	MG RESISTOR	10kΩ 1/16W J		S5103	QSW0683-001Z	PUSH SW		
R7221	NRSA63J-103X	MG RESISTOR	10kΩ 1/16W J		S5104	QSW0683-001Z	PUSH SW		
R7222	NRSA63J-103X	MG RESISTOR	10kΩ 1/16W J		S5105	QSW0683-001Z	PUSH SW		
R7228	NRSA63J-103X	MG RESISTOR	10kΩ 1/16W J		S5106	QSW0683-001Z	PUSH SW		
R7229	NRSA63J-103X	MG RESISTOR	10kΩ 1/16W J		S5107	QSW0683-001Z	PUSH SW		
R7230	NRSA63J-103X	MG RESISTOR	10kΩ 1/16W J		S5110	QSW0683-001Z	PUSH SW		
R7235	NRSA63J-161X	MG RESISTOR	160Ω 1/16W J		S5111	QSW0683-001Z	PUSH SW		
R7236	NRSA63J-221X	MG RESISTOR	220Ω 1/16W J		S5112	QSW0683-001Z	PUSH SW		
R7245	NRSA63J-222X	MG RESISTOR	2.2kΩ 1/16W J		S5113	QSW0683-001Z	PUSH SW		
R7246	NRSA63J-222X	MG RESISTOR	2.2kΩ 1/16W J		S5114	QSW0683-001Z	PUSH SW		
R7249	NRSA63J-222X	MG RESISTOR	2.2kΩ 1/16W J		S5115	QSW0683-001Z	PUSH SW		
R7250	NRSA63J-222X	MG RESISTOR	2.2kΩ 1/16W J		S5116	QSW0683-001Z	PUSH SW		
R7257	NRSA63J-103X	MG RESISTOR	10kΩ 1/16W J		S5560	QSW0683-001Z	PUSH SW		
R7262	NRSA63J-103X	MG RESISTOR	10kΩ 1/16W J		SW780	QSW0454-001	SW		S77A, S77UN, S77US, S77UW, S77UX
R7274	NRSA63J-103X	MG RESISTOR	10kΩ 1/16W J		X7000	QAX0718-001Z	CRYSTAL	8.000000MHZ	
R7278	NRSA63J-103X	MG RESISTOR	10kΩ 1/16W J						
R7289	NRSA63J-104X	MG RESISTOR	100kΩ 1/16W J						
R7290	NRSA63J-103X	MG RESISTOR	10kΩ 1/16W J						
R7291	NRSA63J-103X	MG RESISTOR	10kΩ 1/16W J						
R7300	NRSA63J-333X	MG RESISTOR	33kΩ 1/16W J						
R7301	NRSA63J-473X	MG RESISTOR	47kΩ 1/16W J						
R7302	NRSA63J-104X	MG RESISTOR	100kΩ 1/16W J						
R7303	NRSA63J-103X	MG RESISTOR	10kΩ 1/16W J						
R7304	NRSA63J-103X	MG RESISTOR	10kΩ 1/16W J						

Video board

Block No. [0][3][0][0]

Symbol No.	Part No.	Part Name	Description	Local
IC451	MM1623XF-X	IC		
C4501	QCBB1HK-181Y	C CAPACITOR	180pF 50V K	
C4502	QCBB1HK-181Y	C CAPACITOR	180pF 50V K	
C4503	QCBB1HK-181Y	C CAPACITOR	180pF 50V K	
C4504	QCBB1HK-181Y	C CAPACITOR	180pF 50V K	
C4505	QCBB1HK-181Y	C CAPACITOR	180pF 50V K	
C4506	QCBB1HK-181Y	C CAPACITOR	180pF 50V K	
C4550	QFLC1HJ-104Z	M CAPACITOR	0.1uF 50V J	
C4551	QCBB1HK-103Y	C CAPACITOR	0.01uF 50V K	
C4552	QCBB1HK-104Y	C CAPACITOR	0.1uF 50V K	
C4553	QETN1HM-105Z	E CAPACITOR	1uF 50V M	
C4554	QETN1HM-105Z	E CAPACITOR	1uF 50V M	
C4555	QETN1HM-105Z	E CAPACITOR	1uF 50V M	
C4601	QETN1AM-477Z	E CAPACITOR	470uF 10V M	
C4602	QETN1AM-477Z	E CAPACITOR	470uF 10V M	
C4603	QETN1AM-477Z	E CAPACITOR	470uF 10V M	
C4604	QETN1AM-477Z	E CAPACITOR	470uF 10V M	
C4605	QETN1HM-105Z	E CAPACITOR	1uF 50V M	
C4606	QETN1AM-477Z	E CAPACITOR	470uF 10V M	
C4650	QETN1CM-107Z	E CAPACITOR	100uF 16V M	
C4651	QETN1CM-226Z	E CAPACITOR	22uF 16V M	
R4501	QRE141J-750Y	C RESISTOR	75Ω 1/4W J	
R4502	QRE141J-750Y	C RESISTOR	75Ω 1/4W J	
R4503	QRE141J-750Y	C RESISTOR	75Ω 1/4W J	
R4504	QRE141J-750Y	C RESISTOR	75Ω 1/4W J	
R4505	QRE141J-750Y	C RESISTOR	75Ω 1/4W J	
R4506	QRE141J-750Y	C RESISTOR	75Ω 1/4W J	
R4541	QRE141J-201Y	C RESISTOR	200Ω 1/4W J	
R4542	QRE141J-302Y	C RESISTOR	3kΩ 1/4W J	
R4543	QRE141J-201Y	C RESISTOR	200Ω 1/4W J	
R4544	QRE141J-302Y	C RESISTOR	3kΩ 1/4W J	
R4545	QRE141J-101Y	C RESISTOR	100Ω 1/4W J	
R4546	QRE141J-911Y	C RESISTOR	910Ω 1/4W J	
R4547	QRE141J-101Y	C RESISTOR	100Ω 1/4W J	
R4548	QRE141J-911Y	C RESISTOR	910Ω 1/4W J	
R4549	QRE141J-201Y	C RESISTOR	200Ω 1/4W J	
R4550	QRE141J-302Y	C RESISTOR	3kΩ 1/4W J	
CN451	QGB2024J1-11S	CONNECTOR	B-B (1-11)	
CN452	QGF1205F1-06	CONNECTOR	FFC/FPC (1-6)	
J4501	QNN0579-001	PIN JACK		
J4502	QNZ0430-001	AV JACK		
VY451	VYH7653-003	IC HOLDER		

Loading board

Block No. [0][4][0][0]

Symbol No.	Part No.	Part Name	Description	Local
IC1	LB1641	IC		
IC2	LB1641	IC		
D1	MTZJ6.2A-T2	Z DIODE		
C1	QEK1AM-107Z	E CAPACITOR	100uF 10V M	
C2	QCFB1HZ-104Y	C CAPACITOR	0.1uF 50V Z	
C3	QFLC1HJ-103Z	M CAPACITOR	0.01uF 50V J	
C5	QFLC1HJ-103Z	M CAPACITOR	0.01uF 50V J	
C6	QCFB1HZ-104Y	C CAPACITOR	0.1uF 50V Z	
C7	QCFB1HZ-104Y	C CAPACITOR	0.1uF 50V Z	
CN1	QGF1036F1-15	CONNECTOR	FFC/FPC (1-15)	
CN2	QGB2024K1-07S	CONNECTOR	B-B (1-7)	
CN3	QGB2024J1-07S	CONNECTOR	B-B (1-7)	
SW1	QSW0844-001	PUSH SWITCH		
SW2	QSW0844-001	PUSH SWITCH		
SW3	QSW0844-001	PUSH SWITCH		
SW4	QSW0844-001	PUSH SWITCH		

Symbol No.	Part No.	Part Name	Description	Local
SW5	QSW0844-001	PUSH SWITCH		
SW6	QSW0854-002	PUSH SW		
SW8	QSW0923-001	DETECT SWITCH		

DVD servo board

Block No. [0][5][0][0]

Symbol No.	Part No.	Part Name	Description	Local
IC201	LA6502-X	IC		
IC301	MN2DS0003AA-H	IC		
IC302	LM1117MP-ADJ-X	IC		
IC451	MN101C61GNC	IC(MCU)		
IC452	BR93L56RFV-W-X	IC		
IC453	S-80827CNNB-W	IC		
IC505	K4S641632F-TC75	IC(DIGITAL)		
IC509	AT49LV1614T90TC	IC (FLASH)		
IC701	AK4384VT-X	IC		
Q101	KTA1001/YI-X	TRANSISTOR		
Q102	2SC4617/RI-X	TRANSISTOR		
Q103	KTA1001/YI-X	TRANSISTOR		
Q104	2SC4617/RI-X	TRANSISTOR		
Q105	UN2119-X	TRANSISTOR		
D101	NRSA63J-0R0X	MG RESISTOR	0Ω 1/16W J	
C101	NCB31CK-104X	C CAPACITOR	0.1uF 16V K	
C102	NCB31CK-104X	C CAPACITOR	0.1uF 16V K	
C103	NCB31CK-104X	C CAPACITOR	0.1uF 16V K	
C104	NCB31CK-104X	C CAPACITOR	0.1uF 16V K	
C105	NEA70JM-476X	E CAPACITOR	47uF 6.3V M	
C106	NEA70JM-476X	E CAPACITOR	47uF 6.3V M	
C107	NCB31CK-104X	C CAPACITOR	0.1uF 16V K	
C108	NEA70JM-476X	E CAPACITOR	47uF 6.3V M	
C111	NCB31CK-104X	C CAPACITOR	0.1uF 16V K	
C204	NCB31CK-104X	C CAPACITOR	0.1uF 16V K	
C205	NCB31HK-271X	C CAPACITOR	270pF 50V K	
C206	NDC31HJ-151X	C CAPACITOR	150pF 50V J	
C208	NCB31HK-561X	C CAPACITOR	560pF 50V K	
C211	NCB31HK-223X	C CAPACITOR	0.022uF 50V K	
C212	NCB31CK-103X	C CAPACITOR	0.01uF 16V K	
C217	NCB31CK-104X	C CAPACITOR	0.1uF 16V K	
C251	NCB31AK-474X	C CAPACITOR	0.47uF 10V K	
C253	NCB31HK-561X	C CAPACITOR	560pF 50V K	
C255	NCB31CK-153X	C CAPACITOR	0.015uF 16V K	
C256	NCB31CK-104X	C CAPACITOR	0.1uF 16V K	
C257	NCB31HK-822X	C CAPACITOR	8200pF 50V K	
C258	NCB31CK-153X	C CAPACITOR	0.015uF 16V K	
C259	NCB31CK-153X	C CAPACITOR	0.015uF 16V K	
C260	NCB31EK-223X	C CAPACITOR	0.022uF 25V K	
C261	NCB31EK-223X	C CAPACITOR	0.022uF 25V K	
C262	NCB31EK-223X	C CAPACITOR	0.022uF 25V K	
C301	NEA70GM-227X	E CAPACITOR	220uF 4V M	
C302	NEA70GM-476X	E CAPACITOR	47uF 4V M	
C303	NEA70GM-476X	E CAPACITOR	47uF 4V M	
C304	NCB30JK-105X	C CAPACITOR	1uF 6.3V K	
C305	NCB31CK-104X	C CAPACITOR	0.1uF 16V K	
C306	NCB31CK-104X	C CAPACITOR	0.1uF 16V K	
C307	NCB31CK-104X	C CAPACITOR	0.1uF 16V K	
C308	NCB31CK-104X	C CAPACITOR	0.1uF 16V K	
C309	NCB31CK-104X	C CAPACITOR	0.1uF 16V K	
C310	NCB31CK-104X	C CAPACITOR	0.1uF 16V K	
C311	NCB31CK-104X	C CAPACITOR	0.1uF 16V K	
C312	NCB31CK-104X	C CAPACITOR	0.1uF 16V K	
C313	NCB31CK-104X	C CAPACITOR	0.1uF 16V K	
C314	NCB31CK-104X	C CAPACITOR	0.1uF 16V K	
C315	NCB31CK-104X	C CAPACITOR	0.1uF 16V K	
C316	NCB31CK-104X	C CAPACITOR	0.1uF 16V K	
C317	NCB31CK-104X	C CAPACITOR	0.1uF 16V K	
C318	NCB31CK-104X	C CAPACITOR	0.1uF 16V K	
C319	NCB31CK-104X	C CAPACITOR	0.1uF 16V K	
C320	NCB31CK-104X	C CAPACITOR	0.1uF 16V K	
C321	NCB31CK-104X	C CAPACITOR	0.1uF 16V K	

△ Symbol No.	Part No.	Part Name	Description	Local	△ Symbol No.	Part No.	Part Name	Description	Local
C322	NCB31CK-104X	C CAPACITOR	0.1uF 16V K		R220	NRSA63J-243X	MG RESISTOR	24kΩ 1/16W J	
C323	NCB31CK-104X	C CAPACITOR	0.1uF 16V K		R221	NRSA63J-682X	MG RESISTOR	6.8kΩ 1/16W J	
C324	NCB21CK-105X	C CAPACITOR	1uF 16V K		R251	NRS125J-R47X	MG RESISTOR	0.47Ω 1/2W J	
C325	NDC31HJ-180X	C CAPACITOR	18pF 50V J		R252	NRSA63J-2R2X	MG RESISTOR	2.2Ω 1/16W J	
C326	NDC31HJ-150X	C CAPACITOR	15pF 50V J		R254	NRSA63J-203X	MG RESISTOR	20kΩ 1/16W J	
C330	NCB31CK-104X	C CAPACITOR	0.1uF 16V K		R256	NRSA63J-472X	MG RESISTOR	4.7kΩ 1/16W J	
C331	NCB31CK-333X	C CAPACITOR	0.033uF 16V K		R257	NRSA63J-0R0X	MG RESISTOR	0Ω 1/16W J	
C332	NCB31CK-104X	C CAPACITOR	0.1uF 16V K		R259	NRSA63J-103X	MG RESISTOR	10kΩ 1/16W J	
C333	NCB31CK-104X	C CAPACITOR	0.1uF 16V K		R260	NRSA63J-472X	MG RESISTOR	4.7kΩ 1/16W J	
C334	NCB31CK-104X	C CAPACITOR	0.1uF 16V K		R302	NRSA63J-240X	MG RESISTOR	24Ω 1/16W J	
C335	NCB31CK-104X	C CAPACITOR	0.1uF 16V K		R303	NRSA63J-270X	MG RESISTOR	27Ω 1/16W J	
C337	NCB31CK-183X	C CAPACITOR	0.018uF 16V K		R306	NRSA63J-102X	MG RESISTOR	1kΩ 1/16W J	
C338	NCB31HK-562X	C CAPACITOR	5600pF 50V K		R307	NRSA63J-102X	MG RESISTOR	1kΩ 1/16W J	
C339	NCB31CK-104X	C CAPACITOR	0.1uF 16V K		R308	NRSA63J-223X	MG RESISTOR	22kΩ 1/16W J	
C340	NCB21CK-105X	C CAPACITOR	1uF 16V K		R309	NRSA63J-104X	MG RESISTOR	100kΩ 1/16W J	
C341	NCB30JK-105X	C CAPACITOR	1uF 6.3V K		R310	NRS125J-R47X	MG RESISTOR	0.47Ω 1/2W J	
C347	NCB31CK-104X	C CAPACITOR	0.1uF 16V K		R312	NRSA63J-0R0X	MG RESISTOR	0Ω 1/16W J	
C348	NCB31CK-104X	C CAPACITOR	0.1uF 16V K		R313	NRSA63J-0R0X	MG RESISTOR	0Ω 1/16W J	
C349	NCB31CK-104X	C CAPACITOR	0.1uF 16V K		R314	NRSA63J-0R0X	MG RESISTOR	0Ω 1/16W J	
C350	NCB31CK-104X	C CAPACITOR	0.1uF 16V K		R315	NRSA63J-0R0X	MG RESISTOR	0Ω 1/16W J	
C356	NCB21CK-105X	C CAPACITOR	1uF 16V K		R316	NRSA63J-0R0X	MG RESISTOR	0Ω 1/16W J	
C371	NCB21CK-105X	C CAPACITOR	1uF 16V K		R317	NRSA63J-0R0X	MG RESISTOR	0Ω 1/16W J	
C391	NCB31CK-104X	C CAPACITOR	0.1uF 16V K		R318	NRSA63J-333X	MG RESISTOR	33kΩ 1/16W J	
C451	NCB31CK-104X	C CAPACITOR	0.1uF 16V K		R319	NRSA63J-0R0X	MG RESISTOR	0Ω 1/16W J	
C452	NCB31CK-104X	C CAPACITOR	0.1uF 16V K		R320	NRSA63J-103X	MG RESISTOR	10kΩ 1/16W J	
C453	NCB31CK-104X	C CAPACITOR	0.1uF 16V K		R333	NRSA63J-163X	MG RESISTOR	16kΩ 1/16W J	
C454	NCB31CK-103X	C CAPACITOR	0.01uF 16V K		R334	NRSA63J-151X	MG RESISTOR	150Ω 1/16W J	
C455	NCB31CK-103X	C CAPACITOR	0.01uF 16V K		R335	NRSA63J-151X	MG RESISTOR	150Ω 1/16W J	
C551	NCB31CK-104X	C CAPACITOR	0.1uF 16V K		R336	NRSA63J-151X	MG RESISTOR	150Ω 1/16W J	
C552	NCF31CZ-104X	C CAPACITOR	0.1uF 16V Z		R337	NRSA63J-151X	MG RESISTOR	150Ω 1/16W J	
C553	NBE20JM-226X	TA E CAPACITOR	22uF 6.3V M		R338	NRSA63J-0R0X	MG RESISTOR	0Ω 1/16W J	
C554	NCB31CK-104X	C CAPACITOR	0.1uF 16V K		R339	NRSA63J-0R0X	MG RESISTOR	0Ω 1/16W J	
C555	NCF31CZ-104X	C CAPACITOR	0.1uF 16V Z		R340	NRSA63D-303X	MG RESISTOR	30kΩ 1/16W D	
C556	NCF31CZ-104X	C CAPACITOR	0.1uF 16V Z		R341	NRSA63D-362X	MG RESISTOR	3.6kΩ 1/16W D	
C557	NCF31AZ-105X	C CAPACITOR	1uF 10V Z		R342	NRSA63D-222X	MG RESISTOR	2.2kΩ 1/16W D	
C701	NCB31CK-104X	C CAPACITOR	0.1uF 16V K		R343	NRSA63J-0R0X	MG RESISTOR	0Ω 1/16W J	
C704	NEA70JM-227X	E CAPACITOR	220uF 6.3V M		R345	NRSA63J-221X	MG RESISTOR	10Ω 1/16W J	
C706	NEA71CM-106X	E CAPACITOR	10uF 16V M		R348	NRSA63J-6R8X	MG RESISTOR	6.8Ω 1/16W J	
C707	NCB31CK-104X	C CAPACITOR	0.1uF 16V K		R351	NRSA63J-681X	MG RESISTOR	680Ω 1/16W J	
C721	NCB31HK-102X	C CAPACITOR	1000pF 50V K		R352	NRSA63J-105X	MG RESISTOR	1MΩ 1/16W J	
C722	NCB31CK-104X	C CAPACITOR	0.1uF 16V K		R353	NRSA63J-101X	MG RESISTOR	100Ω 1/16W J	
C902	NCB31CK-104X	C CAPACITOR	0.1uF 16V K		R354	NRSA63J-101X	MG RESISTOR	100Ω 1/16W J	
C903	NCB31CK-104X	C CAPACITOR	0.1uF 16V K		R355	NRSA63J-331X	MG RESISTOR	330Ω 1/16W J	
C904	NCB31CK-104X	C CAPACITOR	0.1uF 16V K		R356	NRSA63J-331X	MG RESISTOR	330Ω 1/16W J	
C907	NCB31CK-103X	C CAPACITOR	0.01uF 16V K		R357	NRSA63J-0R0X	MG RESISTOR	0Ω 1/16W J	
R101	NRSA63J-101X	MG RESISTOR	100Ω 1/16W J		R358	NRSA63J-270X	MG RESISTOR	27Ω 1/16W J	
R102	NRSA63J-101X	MG RESISTOR	100Ω 1/16W J		R361	NRSA63J-0R0X	MG RESISTOR	0Ω 1/16W J	
R103	NRSA63J-243X	MG RESISTOR	24kΩ 1/16W J		R362	NRSA63J-331X	MG RESISTOR	330Ω 1/16W J	
R104	NRSA63J-303X	MG RESISTOR	30kΩ 1/16W J		R363	NRSA63J-151X	MG RESISTOR	150Ω 1/16W J	
R105	NRS125J-270X	MG RESISTOR	27Ω 1/2W J		R372	NRSA63J-103X	MG RESISTOR	10kΩ 1/16W J	
R106	NRSA63J-2R2X	MG RESISTOR	2.2Ω 1/16W J		R373	NRSA63J-103X	MG RESISTOR	10kΩ 1/16W J	
R107	NRSA63J-101X	MG RESISTOR	100Ω 1/16W J		R384	NRSA63J-102X	MG RESISTOR	1kΩ 1/16W J	
R108	NRSA63J-471X	MG RESISTOR	470Ω 1/16W J		R385	NRSA63J-102X	MG RESISTOR	1kΩ 1/16W J	
R109	NRSA63J-471X	MG RESISTOR	470Ω 1/16W J		R392	NRSA63J-103X	MG RESISTOR	10kΩ 1/16W J	
R110	NRSA63J-0R0X	MG RESISTOR	0Ω 1/16W J		R393	NRSA63J-0R0X	MG RESISTOR	0Ω 1/16W J	
R111	NRSA63J-243X	MG RESISTOR	24kΩ 1/16W J		R394	NRSA63J-0R0X	MG RESISTOR	0Ω 1/16W J	
R112	NRSA63J-303X	MG RESISTOR	30kΩ 1/16W J		R395	NRSA63J-472X	MG RESISTOR	4.7kΩ 1/16W J	
R113	NRS125J-270X	MG RESISTOR	27Ω 1/2W J		R452	NRSA63J-222X	MG RESISTOR	2.2kΩ 1/16W J	
R114	NRSA63J-2R2X	MG RESISTOR	2.2Ω 1/16W J		R453	NRSA63J-103X	MG RESISTOR	10kΩ 1/16W J	
R115	NRSA63J-101X	MG RESISTOR	100Ω 1/16W J		R454	NRSA63J-103X	MG RESISTOR	10kΩ 1/16W J	
R116	NRSA63J-471X	MG RESISTOR	470Ω 1/16W J		R455	NRSA63J-103X	MG RESISTOR	10kΩ 1/16W J	
R117	NRSA63J-331X	MG RESISTOR	330Ω 1/16W J		R456	NRSA63J-103X	MG RESISTOR	10kΩ 1/16W J	
R118	NRSA63J-0R0X	MG RESISTOR	0Ω 1/16W J		R457	NRSA63J-0R0X	MG RESISTOR	0Ω 1/16W J	
R119	NRSA63J-0R0X	MG RESISTOR	0Ω 1/16W J		R458	NRSA63J-102X	MG RESISTOR	1kΩ 1/16W J	
R120	NRSA63J-0R0X	MG RESISTOR	0Ω 1/16W J		R501	NRSA63J-471X	MG RESISTOR	470Ω 1/16W J	
R122	NRSA63J-0R0X	MG RESISTOR	0Ω 1/16W J		R502	NRSA63J-471X	MG RESISTOR	470Ω 1/16W J	
R123	NRSA63J-0R0X	MG RESISTOR	0Ω 1/16W J		R535	NRSA63J-473X	MG RESISTOR	47kΩ 1/16W J	
R125	NRS125J-1R0X	MG RESISTOR	1Ω 1/2W J		R561	NRSA63J-102X	MG RESISTOR	1kΩ 1/16W J	
R126	NRSA02J-181X	MG RESISTOR	180Ω 1/10W J		R701	NRSA63J-2R2X	MG RESISTOR	2.2Ω 1/16W J	
R204	NRSA63J-273X	MG RESISTOR	27kΩ 1/16W J		R710	NRSA63J-0R0X	MG RESISTOR	0Ω 1/16W J	
R205	NRSA63J-273X	MG RESISTOR	27kΩ 1/16W J		R711	NRSA63J-0R0X	MG RESISTOR	0Ω 1/16W J	
R206	NRSA63J-303X	MG RESISTOR	30kΩ 1/16W J		R712	NRSA63J-221X	MG RESISTOR	220Ω 1/16W J	
R207	NRSA63J-473X	MG RESISTOR	47kΩ 1/16W J		R713	NRSA63J-221X	MG RESISTOR	220Ω 1/16W J	
R208	NRSA63J-223X	MG RESISTOR	22kΩ 1/16W J		R718	NRSA63J-473X	MG RESISTOR	47kΩ 1/16W J	
R213	NRSA63J-103X	MG RESISTOR	10kΩ 1/16W J		R723	NRSA63J-101X	MG RESISTOR	100Ω 1/16W J	
R214	NRSA63J-103X	MG RESISTOR	10kΩ 1/16W J		R724	NRSA63J-101X	MG RESISTOR	100Ω 1/16W J	
R219	NRSA63J-183X	MG RESISTOR	18kΩ 1/16W J		R725	NRSA63J-101X	MG RESISTOR	100Ω 1/16W J	
					R727	NRSA63J-101X	MG RESISTOR	100Ω 1/16W J	

△ Symbol No.	Part No.	Part Name	Description	Local	△ Symbol No.	Part No.	Part Name	Description	Local
R728	NRSA63J-0R0X	MG RESISTOR	0Ω 1/16W J		Q375	2SB562/C-T	TRANSISTOR		
L501	NQL044K-100X	COIL	0.26Ω 10uH K		Q376	KTC3199/GLJ-T	TRANSISTOR		
CN101	QGF0523F1-24W	CONNECTOR	FFC/FPC (1-24)		D340	MTZJ5.1B-T2	Z DIODE		
CN201	QGF1016F2-08W	CONNECTOR	FFC/FPC (1-8)		D375	MTZJ5.1B-T2	Z DIODE		
CN451	QGF1016F2-15W	CONNECTOR	FFC/FPC (1-15)		C101	QDGB1HK-821Y	C CAPACITOR	820pF 50V K	
CN452	QGA2001F2-02X	CONNECTOR	W-B (1-2)		C102	QDYB1CM-103Y	C CAPACITOR	0.01uF 16V M	
CN453	QGA2001F2-03X	CONNECTOR	W-B (1-3)		C103	QFLA1HJ-104Z	M CAPACITOR	0.1uF 50V J	
CN501	QGF1016F2-06W	CONNECTOR	FFC/FPC (1-6)		C104	QCBB1HK-221Y	C CAPACITOR	220pF 50V K	
CN502	QGF1016F2-08W	CONNECTOR	FFC/FPC (1-8)		C105	QCBB1HK-391Y	C CAPACITOR	390pF 50V K	
CN503	QGF1016F2-26W	CONNECTOR	FFC/FPC (1-26)		C106	QERF1HM-225Z	E CAPACITOR	2.2uF 50V M	
K101	NRSA02J-0R0X	MG RESISTOR	0Ω 1/10W J		C107	QCBB1HK-271Y	C CAPACITOR	270pF 50V K	
K102	NRSA02J-0R0X	MG RESISTOR	0Ω 1/10W J		C109	QEKJ1EM-475Z	E CAPACITOR	4.7uF 25V M	
K301	NQR0354-001X	FERRITE BEADS			C110	QDYB1CM-682Y	C CAPACITOR	6800pF 16V M	
K451	NRSA63J-0R0X	MG RESISTOR	0Ω 1/16W J		C113	QFLA1HJ-104Z	M CAPACITOR	0.1uF 50V J	
K551	NQR0129-002X	FERRITE BEADS			C120	QCSB1HK-4R7Y	C CAPACITOR	4.7pF 50V K	
K552	NQR0129-002X	FERRITE BEADS			C121	QCBB1HK-331Y	C CAPACITOR	330pF 50V K	
K553	NQR0129-002X	FERRITE BEADS			C201	QDGB1HK-821Y	C CAPACITOR	820pF 50V K	
K554	NQR0129-002X	FERRITE BEADS			C202	QDYB1CM-103Y	C CAPACITOR	0.01uF 16V M	
K555	NQR0022-005X	FERRITE BEADS			C203	QFLA1HJ-104Z	M CAPACITOR	0.1uF 50V J	
K556	NQR0129-002X	FERRITE BEADS			C204	QCBB1HK-221Y	C CAPACITOR	220pF 50V K	
K562	NRSA63J-0R0X	MG RESISTOR	0Ω 1/16W J		C205	QCBB1HK-391Y	C CAPACITOR	390pF 50V K	
K566	NRSA63J-0R0X	MG RESISTOR	0Ω 1/16W J		C206	QERF1HM-225Z	E CAPACITOR	2.2uF 50V M	
K721	NQR0251-004X	FERRITE BEADS			C207	QCBB1HK-271Y	C CAPACITOR	270pF 50V K	
K722	NQR0251-004X	FERRITE BEADS			C209	QEKJ1EM-475Z	E CAPACITOR	4.7uF 25V M	
K723	NQR0251-004X	FERRITE BEADS			C210	QDYB1CM-682Y	C CAPACITOR	6800pF 16V M	
TH301	NAD0025-103X	N THERMISTOR	10kΩ		C213	QFLA1HJ-104Z	M CAPACITOR	0.1uF 50V J	
X351	NAX0550-001X	CRYSTAL	27.000MHz		C220	QCSB1HK-4R7Y	C CAPACITOR	4.7pF 50V K	
X451	NAX0248-001X	C OSCILLATOR			C221	QCBB1HK-331Y	C CAPACITOR	330pF 50V K	

Cassette switch board

Block No. [0][6][0][0]

△ Symbol No.	Part No.	Part Name	Description	Local
IC1	SG-105F3-BB,C	PHOTO SENSER		
D1	1SR139-400-T2	SI DIODE		
R371	QRE141J-123Y	C RESISTOR	12kΩ 1/4W J	
VR37	QVP0077-103Z	TRIM RESISTOR	10kΩ	
CN1	QGF1205F1-09	CONNECTOR	FFC/FPC (1-9)	
FW100	QUM024-07A2Z3	PARA RIBON WIRE		
P1	QNZ0104-001	POST PIN		
SW1	QSW0832-001	CASS.SWITCH		
SW2	QSW0832-001	CASS.SWITCH		
SW5	QSW0832-001	CASS.SWITCH		
SW6	QSW0859-001	DETECT SWITCH		

Head amplifier board

Block No. [0][7][0][0]

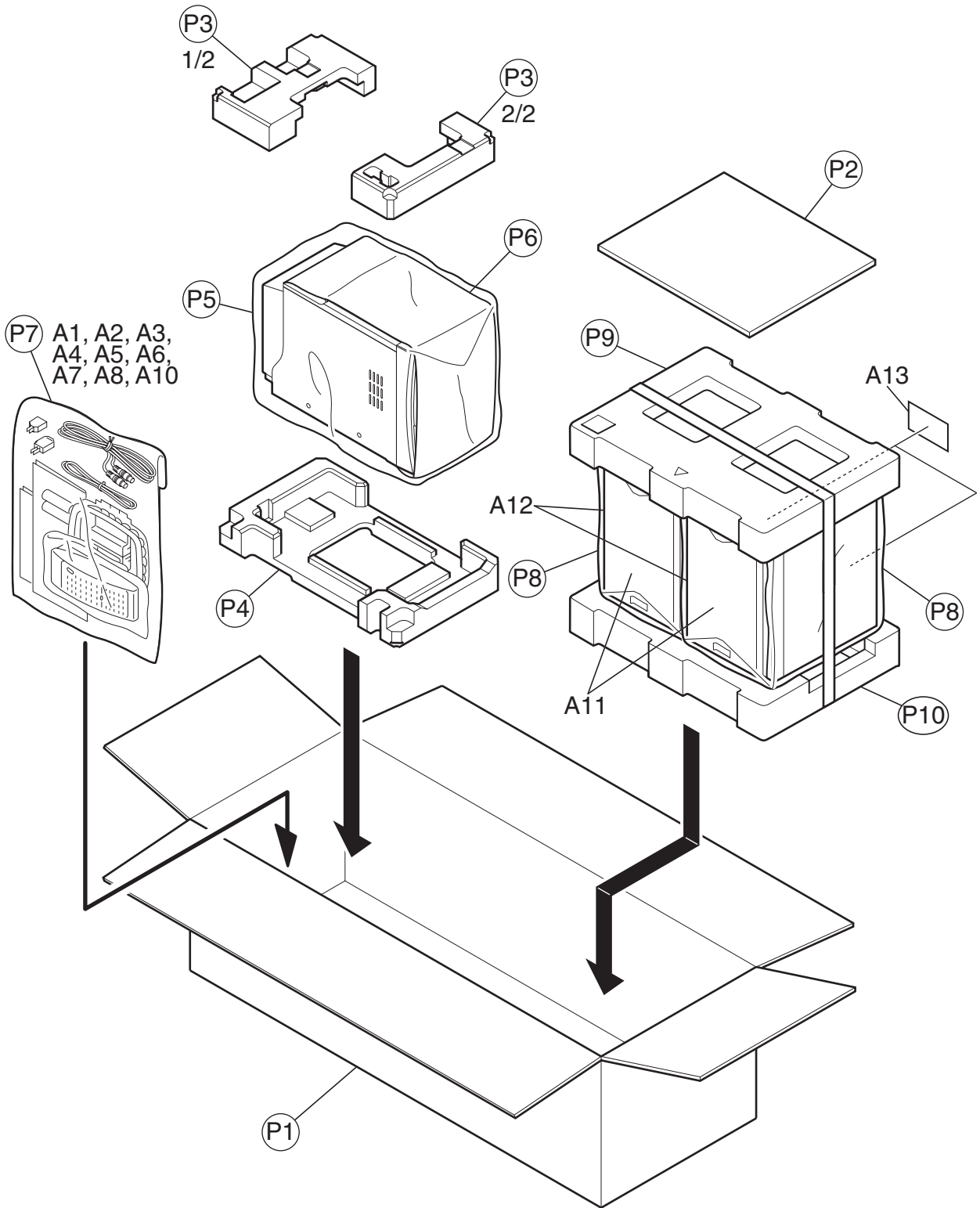
△ Symbol No.	Part No.	Part Name	Description	Local
IC32	HA12238F	IC	R/P Equalizer	
IC33	CD4094BC	IC	Serial to parallel port extension	
Q302	2SC2001/K-T	TRANSISTOR		
Q305	2SC2001/K-T	TRANSISTOR		
Q342	KRA111M-T	DIGI TRANSISTOR		
Q343	2SC3576-JVC-T	TRANSISTOR		
Q344	2SC3576-JVC-T	TRANSISTOR		
Q345	2SC3576-JVC-T	TRANSISTOR		
Q346	2SC3576-JVC-T	TRANSISTOR		
Q347	KRC107M-T	DIGI TRANSISTOR		
Q371	KTA1271/OYJ-T	TRANSISTOR		
Q372	KRC107M-T	DIGI TRANSISTOR		
R101	QRE141J-512Y	C RESISTOR	5.1kΩ 1/4W J	
R102	QRE141J-512Y	C RESISTOR	5.1kΩ 1/4W J	
R104	QRE141J-222Y	C RESISTOR	2.2kΩ 1/4W J	
R105	QRE141J-104Y	C RESISTOR	100kΩ 1/4W J	
R106	QRE141J-113Y	C RESISTOR	11kΩ 1/4W J	
R107	QRE141J-912Y	C RESISTOR	9.1kΩ 1/4W J	
R108	QRE141J-273Y	C RESISTOR	27kΩ 1/4W J	
R110	QRE141J-103Y	C RESISTOR	10kΩ 1/4W J	
R116	QRE141J-102Y	C RESISTOR	1kΩ 1/4W J	
R121	QRE141J-153Y	C RESISTOR	15kΩ 1/4W J	
R201	QRE141J-512Y	C RESISTOR	5.1kΩ 1/4W J	
R202	QRE141J-512Y	C RESISTOR	5.1kΩ 1/4W J	
R204	QRE141J-222Y	C RESISTOR	2.2kΩ 1/4W J	
R205	QRE141J-104Y	C RESISTOR	100kΩ 1/4W J	
R206	QRE141J-113Y	C RESISTOR	11kΩ 1/4W J	
R207	QRE141J-912Y	C RESISTOR	9.1kΩ 1/4W J	
R208	QRE141J-273Y	C RESISTOR	27kΩ 1/4W J	
R210	QRE141J-103Y	C RESISTOR	10kΩ 1/4W J	
R216	QRE141J-102Y	C RESISTOR	1kΩ 1/4W J	
R221	QRE141J-153Y	C RESISTOR	15kΩ 1/4W J	
R301	QRE141J-221Y	C RESISTOR	220Ω 1/4W J	
R302	QRE141J-222Y	C RESISTOR	2.2kΩ 1/4W J	
R303	QRE141J-222Y	C RESISTOR	2.2kΩ 1/4W J	
△ R304	QRJ146J-101X	UNF C RESISTOR	100Ω 1/4W J	
R305	QRE141J-103Y	C RESISTOR	10kΩ 1/4W J	
R306	QRE141J-472Y	C RESISTOR	4.7kΩ 1/4W J	
△ R310	QRJ146J-4R7X	UNF C RESISTOR	4.7Ω 1/4W J	
R313	QRE141J-2R2Y	C RESISTOR	2.2Ω 1/4W J	
R314	QRE141J-153Y	C RESISTOR	15kΩ 1/4W J	

Symbol No.	Part No.	Part Name	Description	Local
R315	QRE141J-101Y	C RESISTOR	100Ω 1/4W J	
R327	QRE141J-474Y	C RESISTOR	470kΩ 1/4W J	
R335	QRE141J-222Y	C RESISTOR	2.2kΩ 1/4W J	
R336	QRE141J-223Y	C RESISTOR	22kΩ 1/4W J	
R337	QRE141J-332Y	C RESISTOR	3.3kΩ 1/4W J	
R338	QRE141J-392Y	C RESISTOR	3.9kΩ 1/4W J	
R339	QRE141J-104Y	C RESISTOR	100kΩ 1/4W J	
R340	QRE141J-681Y	C RESISTOR	680Ω 1/4W J	
R341	QRE141J-123Y	C RESISTOR	12kΩ 1/4W J	
R342	QRE141J-243Y	C RESISTOR	24kΩ 1/4W J	
R343	QRE141J-183Y	C RESISTOR	18kΩ 1/4W J	
R344	QRE141J-472Y	C RESISTOR	4.7kΩ 1/4W J	
R345	QRE141J-472Y	C RESISTOR	4.7kΩ 1/4W J	
R346	QRE141J-472Y	C RESISTOR	4.7kΩ 1/4W J	
R347	QRE141J-103Y	C RESISTOR	10kΩ 1/4W J	
△ R353	QRZ9005-100X	FUSI RESISTOR	10Ω	
R372	QRE141J-102Y	C RESISTOR	1kΩ 1/4W J	
R375	QRE141J-151Y	C RESISTOR	150Ω 1/4W J	
R376	QRE141J-472Y	C RESISTOR	4.7kΩ 1/4W J	
VR31	QVP0008-203Z	TRIM RESISTOR	20kΩ	
L301	QQR1118-002	OSC COIL(BIAS)		
L303	QQL244K-100Z	COIL	10uH K	
CN31	QGF1205F1-06	CONNECTOR	FFC/FPC (1-6)	
CN32	QGF1205F1-09	CONNECTOR	FFC/FPC (1-9)	
CN33	QGF1205F1-09	CONNECTOR	FFC/FPC (1-9)	
CN34	QGF1201F3-10	CONNECTOR	FFC/FPC (1-10)	
H32	GV40397-002A	IC HOLDER		

< MEMO >

Packing materials and accessories parts list

Block No. M 3 M M



Packing and Accessories

Block No. [M][3][M][M]

△	Symbol No.	Part No.	Part Name	Description	Local
	A 1	GVT0131-015A	INST BOOK	ENG	S77A
	A 1	GVT0131-003A	INST BOOK	ENG	S77UJ
	A 1	GVT0131-010A	INST BOOK	ENG,CHI(PEKIN)	S77UN,S77US
	A 1	GVT0131-004A	INST BOOK	ENG,SPA,POR	S77UW
	A 1	GVT0131-013A	INST BOOK	ENG,ARA,PER	S77UX
△	A 2	QAM0112-002	PLUG ADAPTOR		S77UJ,S77UN,S77US,S77UW
	A 3	QAM0216-001	SIGNAL CORD		
	A 4	RM-SUXS77U	REMOCON		
	A 5	-----	BATTERY	(x2)	
	A 6	QAL0014-001	AM LOOP ANT		
	A 7	QAL0457-001	ANT.WIRE		
	A 8	BT-56012-1	WARRANTY CARD		S77A
△	A 10	VMZ0139-001	CONTHI PLUG		S77UX
	A 11	SPUXS77E-SPBOX	SPEAKER BOX	(x2)	
	A 12	9910007601	NET ASSY	(x2)	
	A 13	6000203711	RATING LABEL	(x2)	S77UJ,S77UN,S77US,S77UW,S77UX
	A 13	6000203701	RATING LABEL	(x2)	S77A
	P 1	GV20292-027A	CARTON ASSY.(B)		S77UJ
	P 1	GV20292-028A	CARTON ASSY.(B)		S77UN,S77US
	P 1	GV20292-029A	CARTON ASSY.(B)		S77A,S77UW
	P 1	GV20292-026A	CARTON ASSY.(B)		S77UX
	P 2	GV40232-007A	CARTON SPACER		
	P 3	GV10187-002A	CUSHION UPPER		
	P 4	GV10188-001A	CUSHION BTM		
	P 5	QPC05507030P	POLY BAG	55cm x 70cm	
	P 6	GV40168-011A	SHEET		
	P 7	QPC02503515P	POLY BAG	25cm x 35cm	
	P 8	8500041601	POLY BAG	(x2)	
	P 9	8000055401	TOP CUSHION		
	P 10	8000055411	BOTTOM CUSHION		